

# Cast Iron Angle Stop Check

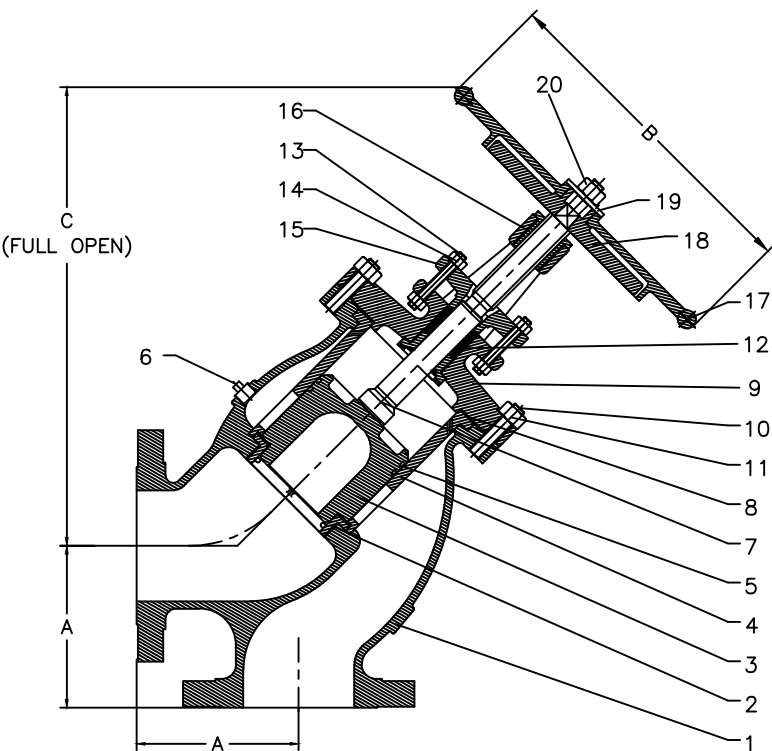
**Model # 25ASC**

**Class 250 (2-1/2" - 8")**

**FEATURES:**

- These valves comply with applicable requirements of Section 1, Power Boilers, ASME Boiler and Pressure Vessel Code
- A-126 Class B high strength cast iron body and bonnet
- CA 15 stainless steel disc, seat, and stem and 304 SS disc guide for longer service life
- Hammer blow handwheel for 6" and larger valves

**Designed to BS 5152 & MSS SP 85  
Valve Markings to ASME B16.34  
Tested to API 598  
Flanges to ASME B16.1**



NO.	PART NAME	MATERIAL
1	BODY	A-126GrB
2	SEAT	CA 15
3	DISC	CA 15
4	DISC GUIDE	A 351-CF8
5	PISTON RING	SPRING STEEL
6	NPT PLUG	SS 304
7	STEM	SS 410
8	BODY GASKET	SS 304 + GRAPHITE SWG
9	BONNET	A-126GrB
10	STUD	B7
11	HEAVY HEX NUT	2H
12	GLAND PACKING	GRAPHITE WITH INCONEL
13	STUD	B7
14	HEAVY HEX NUT	2H
15	GLAND FLANGE	A-126GrB
16	STEM BUSHING	ALUMINUM BRONZE
17	HANDWHEEL (2½" to 4") HAMMER HANDWHEEL (6" to 10")	WCB / DI
18	HAMMER	WCB / DI
19	WASHER	C 20 (BLACKODISED)
20	HANDWHEEL NUT	2H

SIZE	INCH	2-1/2	3	4	5	6	8
	MM	65	80	100	125	150	200
A	INCH	5.75	6.25	7	7.875	8.75	10.5
	MM	146	159	178	200	222	267
B	INCH	9	10	14	14	18	20
	MM	229	254	356	356	458	508
C	INCH	15.75	18	22.5	28.125	28.125	32
	MM	400	457	572	715	715	813
Wgt	Lbs	115	120	180	285	460	715

