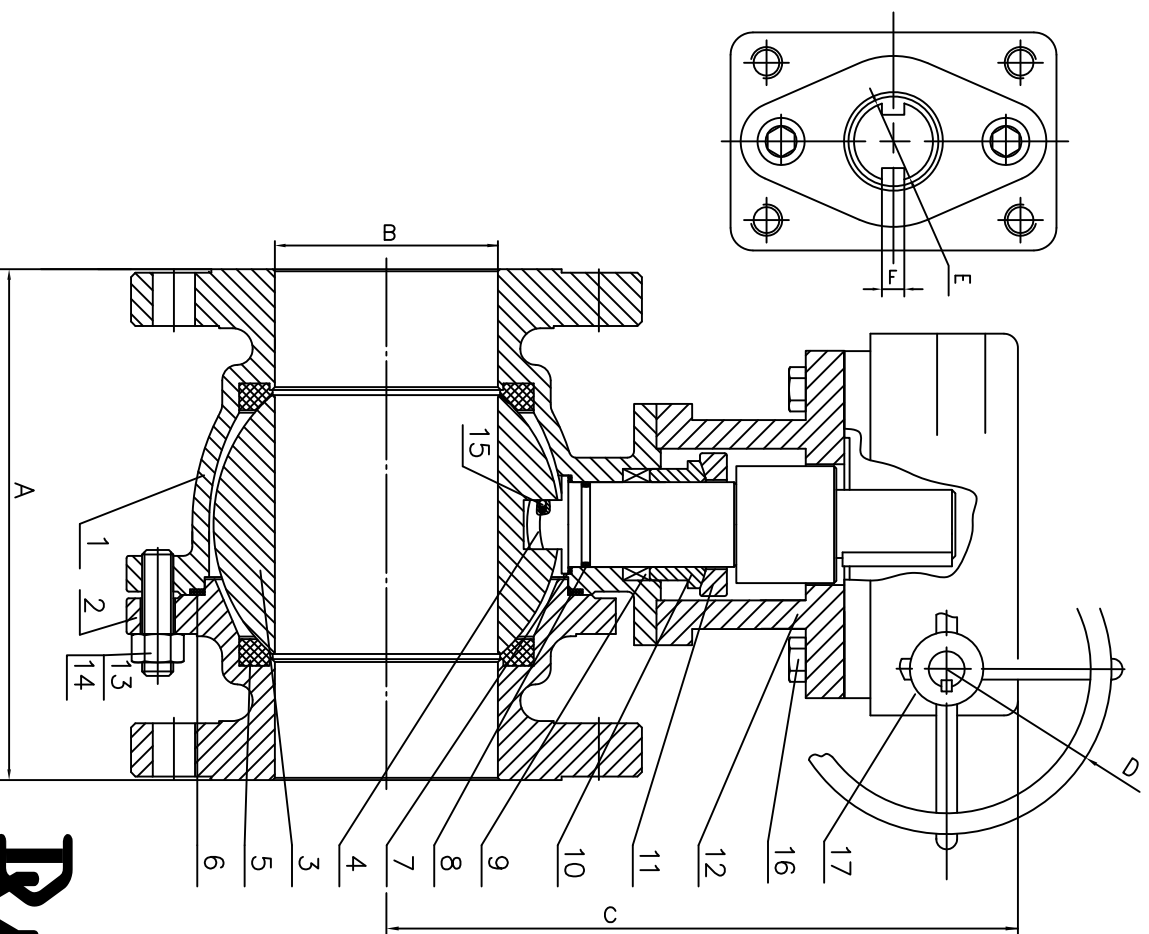


Ball Valve Full Port

Model # 15FBA-FWFR (WCB)

Model # 15FBA-FFFR (316SS)



Designed to ASME B16.34/API 608
 Face to Face to ASME/ANSI B16.10
 Flange Dimensions to ASME/ANSI B16.5
 Tested to API 598
 API 607 Fire Safe
 ISO 5211 Mounting Pad

No.	Part	WCB	316SS
1	Body	WCB	CF8M
2	Bonnet	WCB	CF8M
3	Ball	316SS	316SS
4	Stem	316SS	316SS
5	Seat	CPTFE	CPTFE
6	Gasket	316+Graphite	316+Graphite
7	Gasket	PTFE	PTFE
8	D-Ring	VITON	VITON
9	Packing	Graphite	Graphite
10	Packing Gland	A105	316SS
11	Gland	WCB	CF8M
12	Bracket	CS	CS
13	Stud	A193 B7	A193 B8
14	Nut	A194 2H	A194 8
15	Anti-Static	316SS	316SS
16	Stud	A193 B7	A193 B8
17	Gear	CI	CI

Size in	A	B	C	D	E	F	W/t lbs
6	15.5	6.0	16.1	13.8	1.4	.39	154.0
8	18.0	8.0	17.0	13.8	1.9	.55	348.3
10	21.0	10.0	18.2	18.1	1.9	.55	440.9
12	24.0	12.0	20.9	23.6	2.4	.71	696.7

Davis Valve

Rev 2020