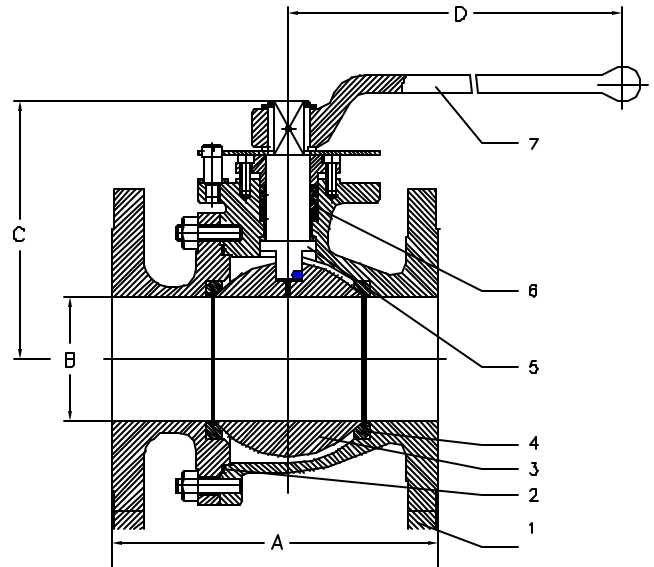


Ball Valve Full Port

Model #15FBA-F
Class 150 (1/2" to 12")

DESIGN SPECIFICATIONS

GENERAL VALVE DESIGN	API 608
PRESSURE TEMPERATURE RATING	ANSI B16.34
WALL THICKNESS	ANSI B16.34
FLANGE DESIGN	ANSI B16.5
FACE TO FACE DIMENSION	ANSI B16.10
MATERIALS	ASTM
VALVE TESTING	API 598



NO.	PART NAME	A 216-WCB	A 351-CF8M
1	BODY	A 216-WCB	A 351-CF8M
2	GASKET	GRAPHITE	PTFE
3	BALL	A 351-CF8M	A 351-CF8M
4	SEAT	RTFE GLASS FILLED 25%	RTFE GLASS FILLED 25%
5	STEM	A 276-316	A 276-316
6	PACKING	GRAPHITE	PTFE
7	HANDLE	A 216-WCB/DI	A 216-WCB/DI

SIZE	INCH	1/2	3/4	1	1 1/2	2	2 1/2	3	4	5	6	8	10	12
	MM	15	20	25	40	50	65	80	100	125	150	200	250	300
A	INCH	4.25	4.62	5.00	6.50	7.00	7.50	8.0	9.0	14.0	15.5	18.0	21.0	24.0
	MM	108	117.3	127	165.1	177.8	190.5	203.2	228.6	355.6	393.7	457.2	533.4	609.6
B	INCH	0.59	0.79	1	1.5	2	2.5	3	4	5	6	8	10	12
	MM	15	20	25	38	51	64	76	102	127	152	203	254	305
C	INCH	2.26	2.4	3.44	4.65	5	6.44	6.75	8.35	8.35	10.65	12.87	17.85	21.54
	MM	57.5	61	87.5	118	129	163.5	171.5	212	212	270.5	327	453.5	547
D	INCH	5.12	5.12	6.3	9	9	15.75	15.75	17.32	33.46	33.46	59		
	MM	130	130	160	230	230	400	400	440	850	850	1500		
Weight	LBS	3.5	5	11	15	25	44	52	92	150	208	374	573	1263
	KGS	1.5	2	5	7	11	20	23	42	68	95	170	260	573

