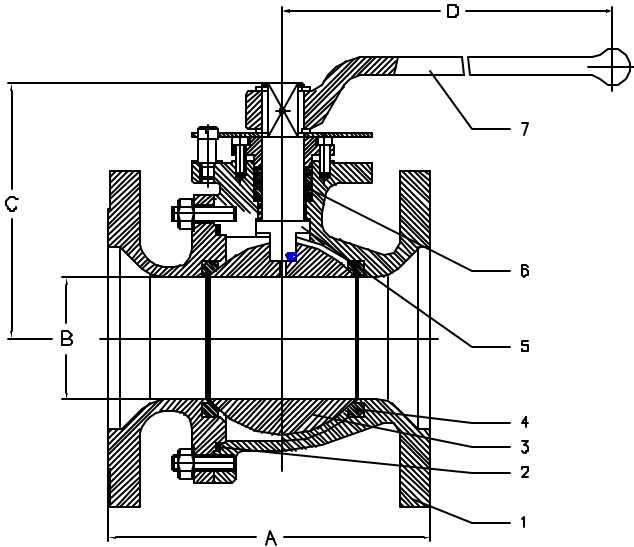


Ball Valve Standard Port

Model #30FBA-S
Class 300 (1 1/2" to 12")



DESIGN SPECIFICATIONS

GENERAL VALVE DESIGN	API 608
PRESSURE TEMPERATURE RATING	ANSI B16.34
WALL THICKNESS	ANSI B16.34
FLANGE DESIGN	ANSI B16.5
FACE TO FACE DIMENSION	ANSI B16.10
MATERIALS	ASTM
VALVE TESTING	API 598

NO.	PART NAME	A 216-WCB	A 351-CF8M
1	BODY	A 216-WCB	A 351-CF8M
2	GASKET	GRAPHITE	PTFE
3	BALL	A 351-CF8M	A 351-CF8M
4	SEAT	RTFE GLASS FILLED 25%	RTFE GLASS FILLED 25%
5	STEM	A 276-316	A 276-316
6	PACKING	GRAPHITE	PTFE
7	HANDLE	A 216-WCB	A 216-WCB

SIZE	INCH	1½	2	2½	3	4	5	6	8	10	12
	MM	40	50	65	80	100	125	150	200	250	300
A	INCH	7.5	8.5	9.5	11.12	12	15	15.88	16.5	18	19.75
	MM	191	216	241	282	305	381	403	419	457	502
B	INCH	1.1	1.5	2	2	3	4	4	6	8	10
	MM	28	38	50.8	50.8	76	102	102	152	203	254
C	INCH	3.44	4.64	5	5.85	6.75	8.35	8.37	10.63	12.87	17.85
	MM	87.5	118	129	149	171	212	213	270	327	454
D	INCH	6.3	9	15.75	15.75	15.75	33.5	33.5	39.37	59	
	MM	160	230	400	400	400	850	850	1000	1500	
Weight	LBS	14	28	40	53	79	119	183	318	518	1362
	KGS	6	13	18	24	36	54	83	144	235	617

