

# Cast Iron Ball Valve

Model # 12FBAZ (Full Port)

Class 125 (2" to 10")

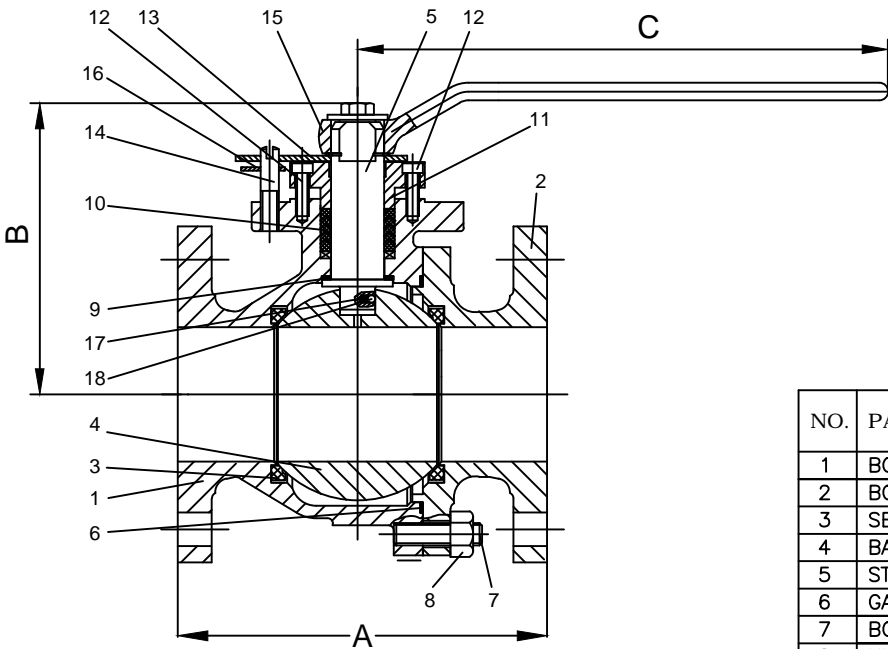
Designed to ANSI B16.1,  
MSS SP-72, tested to API 598.  
Face to face to ANSI B16.10

**FEATURES:**

- Same end to end dimension as conventional 125 lb. ANSI flanged iron gate valve
- Fast quarter turn open or closed operation
- Stainless steel ball and stem
- Positive shut-off
- Two-piece body construction
- 125 W.S.P.
- Integral ISO 5211 actuator mounting pad

**WORKING PRESSURE:**

- 125psi Steam, Basic Rating
- 200psi Cold Working Pressure



SIZE	INCH	2	2-1/2	3	4	6	8	10
	MM	50	65	80	100	150	200	250
A	INCH	7	7.5	8	9	10.5	11.5	13
	MM	178	190.5	203	229	267	292	330
B	INCH	5	6.75	7.125	8.875	11.125	15.75	17.5
	MM	127	171	181	225	284	400	445
C	INCH	9	15.75	15.75	18	39.5	**	**
	MM	230	400	400	460	1000	**	**
Weight	lbs	22	34	38	58	118	247	339
	kgs	10	16	17	26	54	112	154

NO.	PART NAME	MATERIAL
1	BODY	ASTM A126-B
2	BONNET	ASTM A126-B
3	SEAT RING	PTFE
4	BALL	A182 F304
5	STEM	A182 F304
6	GASKET	PTFE
7	BOLTS	ASTM A307-B
8	NUTS	ASTM A307-B
9	THRUST WASHER	PTFE
10	PACKING	PTFE
11	PACKING GLAND	STEEL
12	PACKING BOLT	ASTM A307-B
13	STOP PLATE	STEEL
14	STOP PIN	STEEL
15	HANDLE	DUCTILE IRON
16	WASHER	STEEL
17	SPRING	STAINLESS STEEL
18	ANTI STATIC BALL	STAINLESS STEEL

