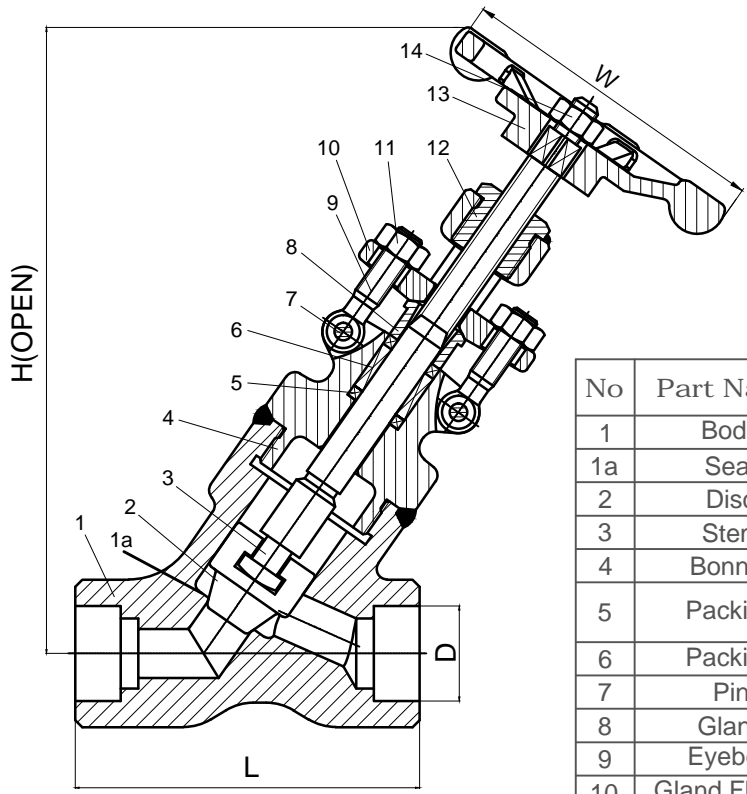


Forged Steel WB Y-Pattern Globe Valve

Model# 16GLWFS2WBY (A105)
 16GLWF222WBY (F22)
 Class 1690

Davis forged steel valves comply with the following applicable specifications: API 602, ASME B16.34
 Tested to: API 598



No	Part Name	Material A105	Material F22
1	Body	A105	F22
1a	Seat	Integral Hard Faced	Integral Hard Faced
2	Disc	A182-F6a + STL	A182-F6a + STL
3	Stem	A182-F6a	A182-F6a
4	Bonnet	A105	F22
5	Packing	Flexible Graphite+SS Wire	Flexible Graphite+SS Wire
6	Packing	Flexible Graphite	Flexible Graphite
7	Pin	A276-410	A276-304
8	Gland	A276-420	A276-420
9	Eyebolt	A193-B7	A193-B16
10	Gland Flange	A105	F304
11	Eyebolt Nut	A194-2H	A194-8M
12	Stem Nut	A276-410	A276-410
13	Handwheel	A197	A197
14	Handwheel Nut	A194-2H	A194-2H

Size in	D	L	H	W	WGT lbs
3/8	.69	4.7	7.6	4.9	7.5
1/2	.88	4.7	7.6	4.9	7.7
3/4	1.06	4.7	7.6	4.9	8.4
1	1.31	6.0	9.4	6.3	15.7
1-1/2	1.88	7.1	10.7	7.1	26.5
2	2.38	7.9	12.4	7.9	36.8

