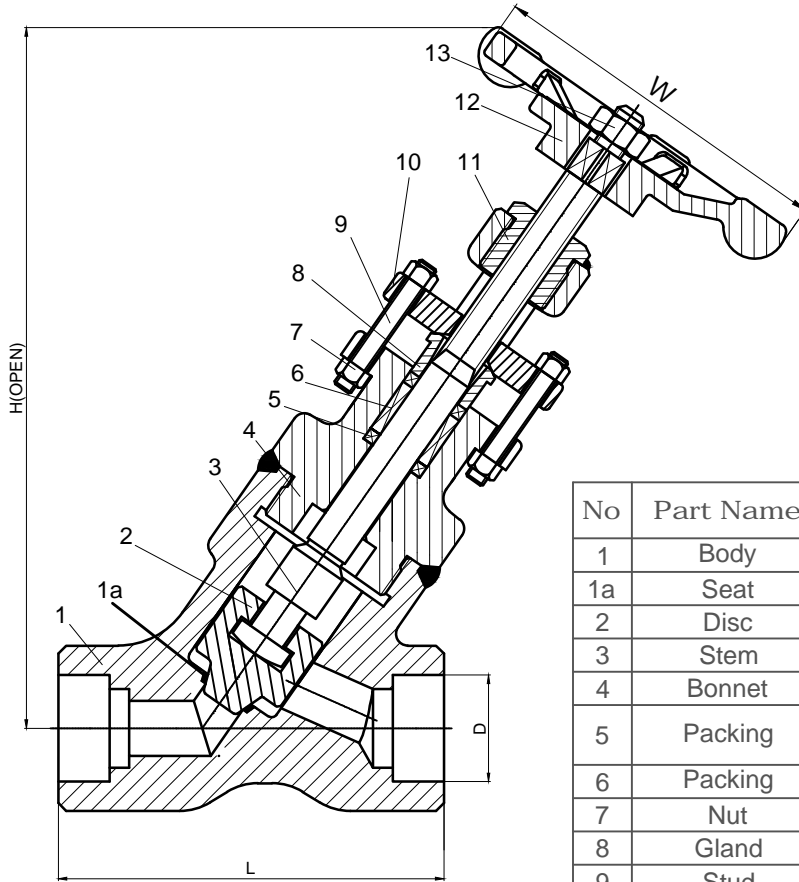


Forged Steel WB Y-Pattern Globe Valve

Model# 26GLWFS2WBY (A105)

26GLWF222WBY (F22)

Class 2680



Davis forged steel valves comply with the following applicable specifications: API 602, ASME B16.34
Tested to: API 598

No	Part Name	Material A105	Material F22
1	Body	A105	F22
1a	Seat	Integral Hard Faced	Integral Hard Faced
2	Disc	A182-F6a + STL	A182-F6a + STL
3	Stem	A182-F6a	A182-F6a
4	Bonnet	A105	F22
5	Packing	Flexible Graphite+SS Wire	Flexible Graphite+SS Wire
6	Packing	Flexible Graphite	Flexible Graphite
7	Nut	A194-2H	A194-8M
8	Gland	A276-420	A276-420
9	Stud	A193-B7	A193-B8M
10	Gland Flange	A105	F304
11	Stem Nut	A276-410	A276-410
12	Handwheel	A197	A197
13	Handwheel Nut	A194-2H	A194-2H

Size in	D	L	H	W	WGT lbs
1/2	.88	5.9	9.5	7.9	17.6
3/4	1.06	5.9	9.5	7.9	21.4
1	1.31	6.7	11.4	7.9	33.5
1-1/2	1.88	7.9	13.1	11.8	50.7
2	2.38	9.1	15.4	11.8	61.7

