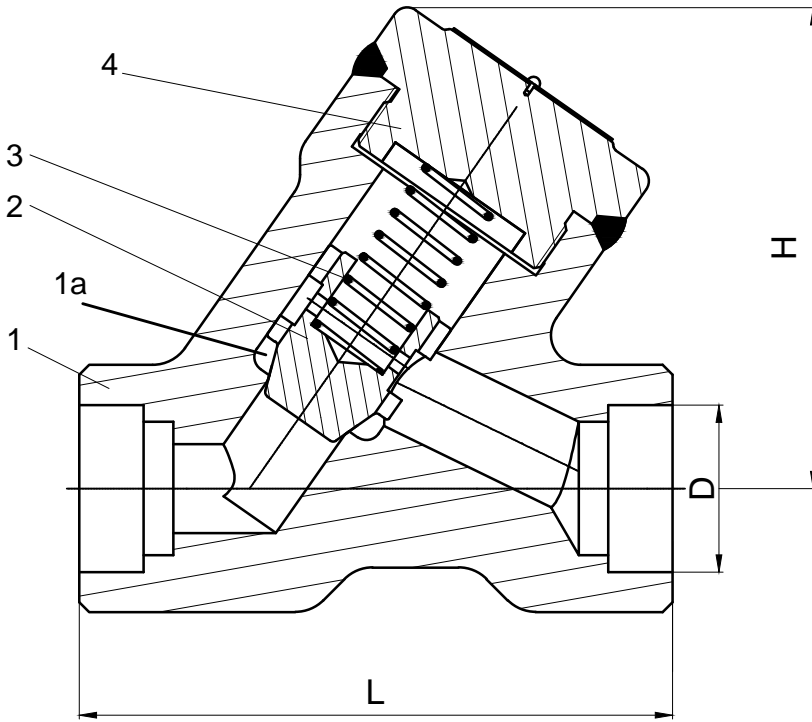


Forged Steel WB Y-Pattern Check Valve

Model# 26LCWFS2WBY (A105)

26LCWF222WBY (F22)

Class 2680



Davis forged steel valves comply with the following applicable specifications: API 602, ASME B16.34
Tested to: API 598

No	Part Name	Material A105	Material F22
1	Body	A105	F22
1a	Seat	Integral Hard Faced	Integral Hard Faced
2	Disc	A182-F6a + STL	A182-F6a + STL
3	Spring	SS304	SS304
4	Bonnet	A105	F22

Size in	D	L	H	WGT lbs
1/2	.88	4.7	9.2	13.2
3/4	1.06	4.7	9.2	15.7
1	1.31	6.0	10.9	29.1
1-1/2	1.88	7.1	12.6	44.1
2	2.38	7.9	14.7	55.1

