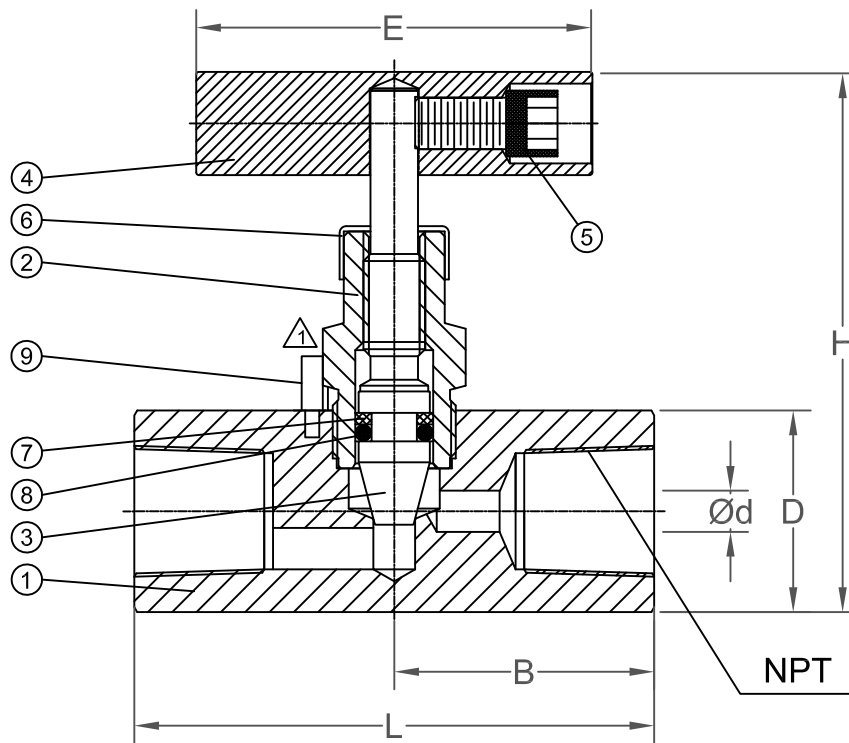


MODEL 6NEF - 316

APPLICABLE STANDARDS:

- 1. Working Pressure : 6000 psi
- 2. Body Testing Pressure : 9000 psi
- 3. Seat Testing Pressure : 6600 psi
- 4. Air Testing Pressure : 80 psi



Size in	Ød	H	B	D	L	E
1/8"	0.16	2.95	1.14	0.94	2.28	2.17
1/4"	0.16	2.95	1.14	0.94	2.28	2.17
3/8"	0.16	2.95	1.14	1.02	2.28	2.17
1/2"	0.24	3.43	1.28	1.18	2.56	2.36
3/4"	0.24	3.54	1.38	1.42	2.76	2.36
1"	0.28	4.06	1.57	1.77	3.15	2.36

No	Part Name	Material
1	Body	CF8M
2	Bonnet	316ss
3	Stem	316ss
4	Handle	304ss
5	Handle Bolt	304ss
6	Bonnet Hood	Polythylene
7	Packing	Viton
8	O-Ring	Viton
9	Stop Pin	304ss

