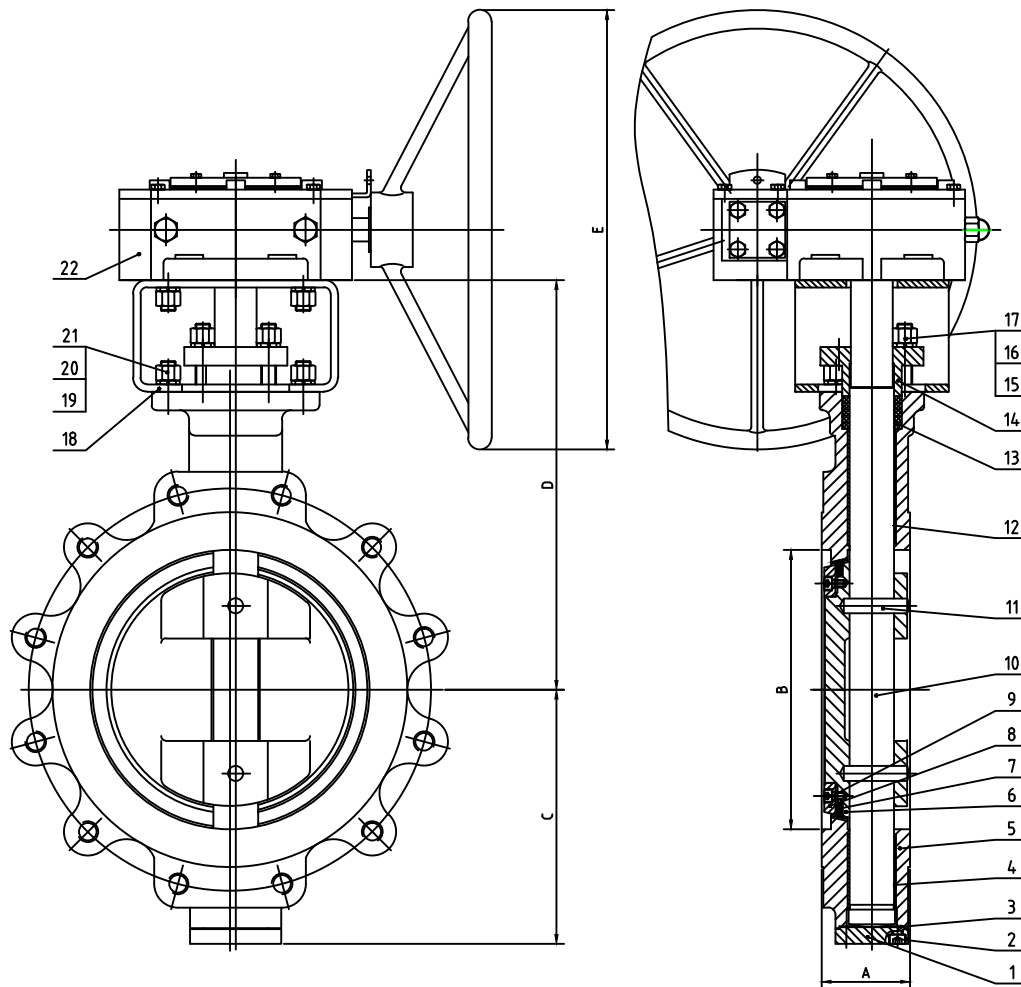


Metal Seated Butterfly Valve

Model # 15TLW-G (WCB)

Model # 15TLF-G (316SS)



Technical Requirements

- 1, Design and manufacture according to API 609
- 2, Face to face length according to API 609
- 3, Flange dimension according to ASME B16.5a
- 4, Valve inspection and test according to API 598

No	Part	Material WCB	Material 316SS
1	Bottom Cover	A105	SS316
2	Hexagon Bolt	A193 B7	A193 B8
3	Seal Gasket	Graphite	Graphite
4	Bearing Bushing	SF-1	SF-1S
5	Body	A215 WCB+STL	A351 CF8M+STL
6	Disc	A216 WCB+ENP	A351 CF8M+ENP
7	Seal Ring	SS316+Graphite	SS316+Graphite
8	Clamp	A105+ENP	SS316+ENP
9	Hexagon Bolt	A193 B7	A193 B8
10	Stem	17-4PH	17-4PH
11	Pin	17-4PH	17-4PH
12	Bearing Bushing	SF-1	SF-1S
13	V-Packing	Graphite	Graphite
14	Packing Gland	A216 WCB	A351 CF8M
15	Hexagon Nut	A194 2H	A194 8
16	Spring Gasket	AISI 1566	SS316
17	Stud Bolt	A193 B7	A193 B8
18	Yoke	Steel	Steel
19	Hexagon Nut	A194 2H	A194 8
20	Spring Ring	AISI 1566	AISI 1566
21	Stud Bolt	A193 B7	A193 B8
22	Gear Box	Steel	Steel

Size in	A	B	C	D	E	Wgt lbs
3	1.89	3.0	3.35	7.68	8.1	22
4	2.13	4.0	4.25	7.95	8.1	33
6	2.24	6.0	5.79	10.63	15.8	64
8	2.5	8.0	7.28	12.0	15.8	97
10	2.80	10.0	8.46	13.98	15.8	146
12	3.19	12.0	9.92	15.55	19.7	212
14	3.62	14.0	11.30	17.52	23.6	278
16	4.0	16.0	12.60	18.50	23.6	401

 Davis Valve