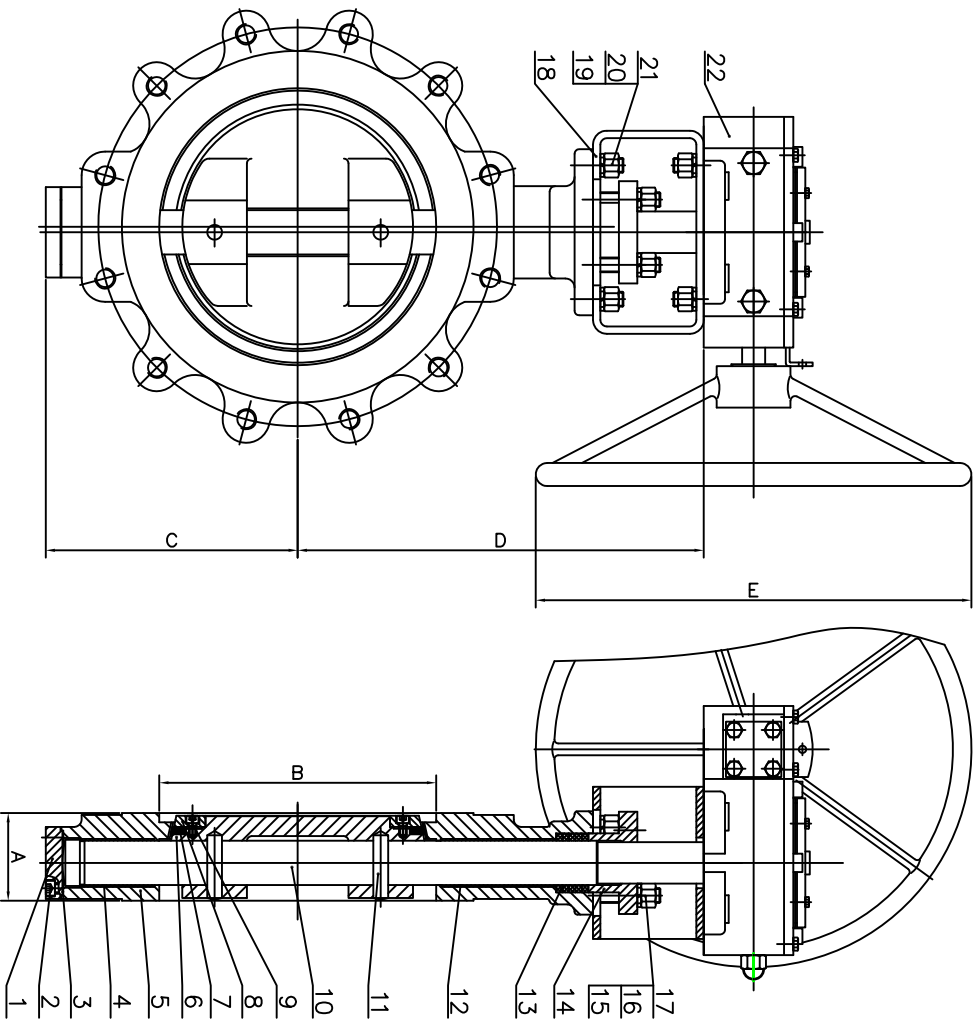


# Metal Seated Triple Offset Butterfly Valve

**Model # 60TLW-G (WCB)**

**Model # 60TLF-G (316SS)**



Specification		
Nominal Pressure	1450	
Shell Test Pressure	2175	PSI
Seal Test Pressure	1695	
Top Working Temperature	≤536	°F
Medium:	Water, Gas, Air etc.	

## Technical Requirements

1. Design and manufacture according to API 609
2. Face to face length according to API 609
3. Flange dimension according to ASME B16.5a
4. Valve inspection and test according to API 598

No	Part	Material WCB	Material 316SS
1	Bottom Cover	A105	SS316
2	Hexagon Bolt	A193 B7	A193 B8
3	Seal Gasket	Graphite	Graphite
4	Bearing Bushing	SF-1	SF-1S
5	Body	A215 WCB+STL	A351 CF8M+STL
6	Disc	A216 WCB+ENP	A351 CF8M+ENP
7	Seal Ring	SS316+Graphite	SS316+Graphite
8	Clamp	A105+ENP	SS316+ENP
9	Hexagon Bolt	A193 B7	A193 B8
10	Stem	17-4PH	17-4PH
11	Pin	17-4PH	17-4PH
12	Bearing Bushing	SF-1	SF-1S
13	V-Packing	Graphite	Graphite
14	Packing Gland	A216 WCB	A351 CF8M
15	Hexagon Nut	A194 2H	A194 8
16	Spring Gasket	AISI 1566	SS316
17	Stud Bolt	A193 B7	A193 B8
18	Yoke	Steel	Steel
19	Hexagon Nut	A194 2H	A194 8
20	Spring Ring	AISI 1566	AISI 1566
21	Stud Bolt	A193 B7	A193 B8
22	Gear Box	Steel	Steel

Size in	A	B	C	D	E	F	G	H	W	ISO	T-fltB	Wgt lbs
3	2.13	3.0	6.63	3.94	10.08	1.14	6.85	1.97	7.87	F07		59
4	2.52	4.0	8.50	4.72	9.53	1.65	12.48	3.15	14.96	F12		77
6	3.07	6.0	8.50	7.87	13.58	2.13	12.91	4.76	18.90	F16	1292	189
8	4.02	8.0	10.63	9.13	14.96	2.01	13.78	5.47	23.62	F16	2950	306
10	4.61	10.0	12.75	10.91	17.52	2.01	18.50	5.04	23.62	F25	4425	447
12	5.51	12.0	15.00	12.60	18.70	2.01	18.50	5.04	23.62	F25	4794	601
14	6.10	14.0	16.25	14.06	20.08	2.68	20.67	5.45	27.56	F25	8049	964
16	7.01	16.0	18.50	15.98	22.44	4.33	25.20	8.03	31.50	F30	13276	1439

**Davis Valve**