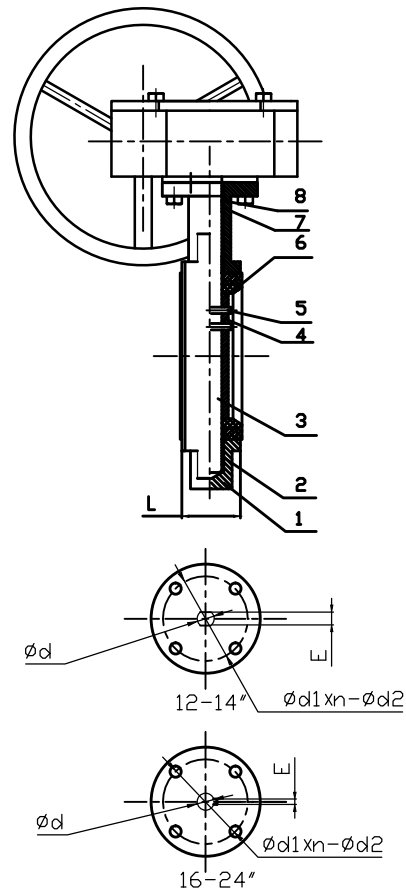
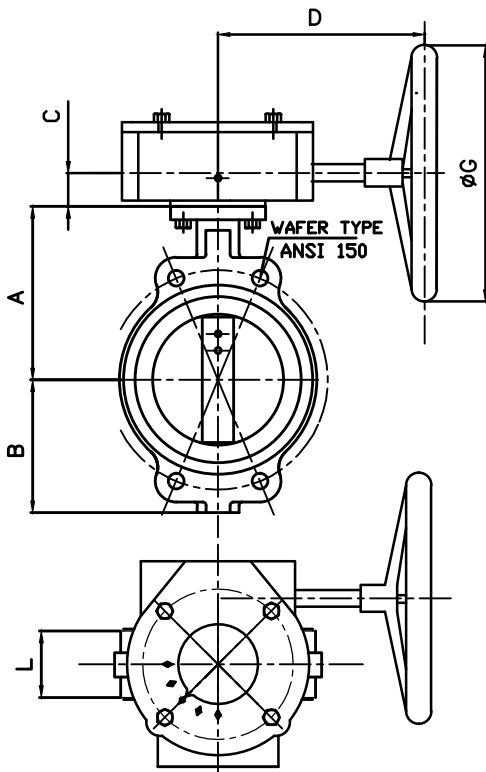


DUCTILE IRON BUTTERFLY VALVE 12"-24"

WAFER TYPE W/ GEAR OPERATOR
 MODEL# 12WDNE-G (EPDM) 200PSI
 MODEL# 12WDNB-G (BUNA)

- Design : API-609
- Flange : ANSI 125/150
- Top Flange : ISO-5211
- Testing : API-598

N0.	Part Name	Material
1	BODY	DUCTILE IRON
2	BUSHING	PTFE
3	SHAFT	S.S.416
4	DISC	C95400 DI + ENP
5	PIN	S.S.316
6	SEAT	EPDM/BUNA
7	BUSHING	PTFE
8	O-RING	NBR



SIZE	A		B		C		L		E		Ød1xn-Ød2		D		ØG		WGT	
	mm	inch	mm	inch	mm	inch	mm	inch	mm	inch	mm	inch	mm	inch	mm	inch	lbs	kg
12"	337	13.27	248	9.76	39	1.53	76.9	3.03	24	0.94	Ø125x4-Ø14.3	Ø4.92x4-Ø0.56	226	8.90	290	11.42	108	40
14"	368	14.49	279	10.98	39	1.53	76.9	3.03	24	0.94	Ø125x4-Ø14.3	Ø4.92x4-Ø0.56	226	8.90	290	11.42	114	51.7
16"	400	15.75	304	11.97	52.5	2.06	85.7	3.37	7.974	0.31	Ø125x4-Ø14.3	Ø4.92x4-Ø0.56	300	11.81	290	11.42	193	87.5
18"	422	16.61	365	14.37	52.5	2.06	104.12	4.10	9.525	0.38	Ø140x4-Ø18	Ø5.51x4-Ø0.71	300	11.81	290	11.42	222	100.7
20"	479	18.86	371	14.61	74.5	2.93	128.3	5.05	9.525	0.38	Ø140x4-Ø18	Ø5.51x4-Ø0.71	350	13.78	290	11.42	315	142.9
24"	562	22.13	457	17.99	74.5	2.93	151.36	5.96	12.7	0.50	Ø165x4-Ø22	Ø6.50x4-Ø0.87	350	13.78	290	11.42	475	215.5

