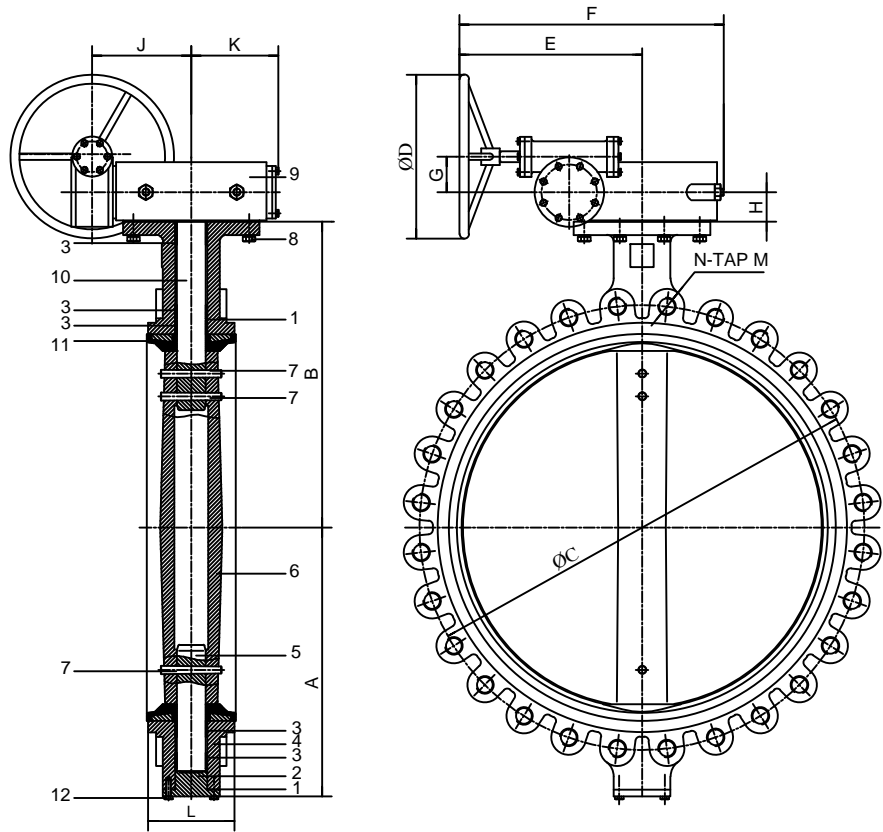


DUCTILE IRON BUTTERFLY VALVE 30"-36"

LUG TYPE W/ GEAR OPERATOR
 MODEL# 12LDNE-G (EPDM) 200PSI



Item	Description	Material
1	O- ring	EPDM
2	End cap	DI
3	Bushing	PTFE
4	Body	DI
5	Lower Stem	SS410
6	Disc	Nickel plated DI or CF8M
7	Tapper Pin	SS410 or SS316
8	Bolt	Carbon steel
9	Gear Operator	CI
10	Upper Stem	SS410
11	Seat	EPDM
12	Bolt	Carbon steel
13	Key	Carbon steel

SIZE	A		B		ANSI 150				L		D		E		F		G		H		J		K	
	mm	inch	mm	inch	C		N	M	mm	inch	mm	inch	mm	inch	mm	inch	mm	inch	mm	inch	mm	inch	mm	inch
30	618	24.33	650	25.59	914.4	36	28	TAP 1-1/4"-7UNC	167	6.57	360	14.17	380	14.96	560	22.04	78	3.07	62	2.44	218	8.58	160	6.29
36	635	25	768	30.23	1085.9	42.75	32	TAP 1-1/2"-6UNC	207	8.14	450	17.71	447	17.59	660	25.98	120	4.72	130	5.11	282	11.1	200	7.87

