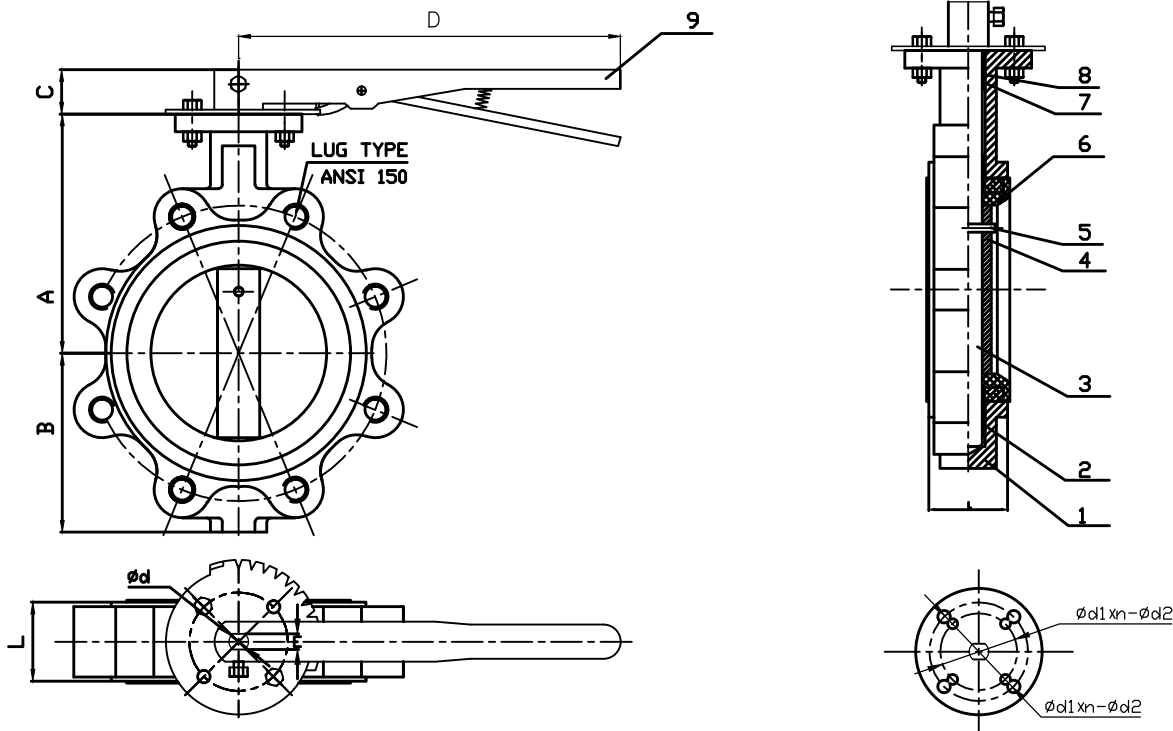


# DUCTILE IRON BUTTERFLY VALVE 2"-12"

LUG TYPE W/ LEVER OPERATOR  
 MODEL# 12LDNE-L (EPDM) 200PSI  
 MODEL# 12LDNB-L (BUNA)

- Design : API-609
- Flange : ANSI 125/150
- Top Flange : ISO-5211
- Testing : API-598

NO.	Part Name	Material
1	BODY	DUCTILE IRON
2	BUSHING	PTFE
3	SHAFT	S.S.416
4	DISC	C95400 DI + ENP
5	PIN	S.S.316
6	SEAT	EPDM/BUNA
7	BUSHING	PTFE
8	O-RING	NBR
9	LEVER	MATERIAL



SIZE	A		B		C		L		Ød		E		Ød1xn-Ød2		Ød3xn-Ød4		D		WGT	
	mm	inch	mm	inch	mm	inch	mm	inch	mm	inch	mm	inch	mm	inch	mm	inch	mm	inch	lbs	kg
2"	162	6.38	82	3.32	32	1.26	42	1.65	12.6	0.50	10	0.39	Ø70x4-Ø9.5	Ø2.76x4-Ø0.37			267	10.51	12	5.4
2-1/2"	175	6.89	95	3.74	32	1.26	44.2	1.74	12.6	0.50	10	0.39	Ø70x4-Ø9.5	Ø2.76x4-Ø0.37			267	10.51	16	7.3
3"	181	7.13	101	3.98	32	1.26	45	1.77	12.6	0.50	10	0.39	Ø70x4-Ø9.5	Ø2.76x4-Ø0.37			267	10.51	18	8.2
4"	200	7.87	124	4.88	32	1.26	52	2.05	15.77	0.62	12	0.47	Ø70x4-Ø9.5	Ø2.76x4-Ø0.37			267	10.51	24	10.9
5"	213	8.39	136	5.35	32	1.26	54.4	2.14	18.92	0.74	14	0.55	Ø70x4-Ø9.5	Ø2.76x4-Ø0.37			267	10.51	25	11.3
6"	226	8.90	149	5.87	32	1.26	55.75	2.19	18.92	0.74	14	0.55	Ø70x4-Ø9.5	Ø2.76x4-Ø0.37			267	10.51	30	13.6
8"	260	10.24	181	7.13	36	1.41	60.5	2.38	22.1	0.87	17	0.67	Ø125x4-Ø14.3	Ø4.92x4-Ø0.56	Ø102x4-Ø11	Ø4.02x4-Ø0.43	353	13.9	42	19.1
10"	292	11.50	210	8.27	36	1.41	66.5	2.62	28.45	1.12	22	0.87	Ø125x4-Ø14.3	Ø4.92x4-Ø0.56	Ø102x4-Ø11	Ø4.02x4-Ø0.43	353	13.9	65	29.5
12"	337	13.27	248	9.76	36	1.41	76.9	3.03	31.6	1.24	24	0.94	Ø125x4-Ø14.3	Ø4.92x4-Ø0.56			353	13.9	108	49.0

