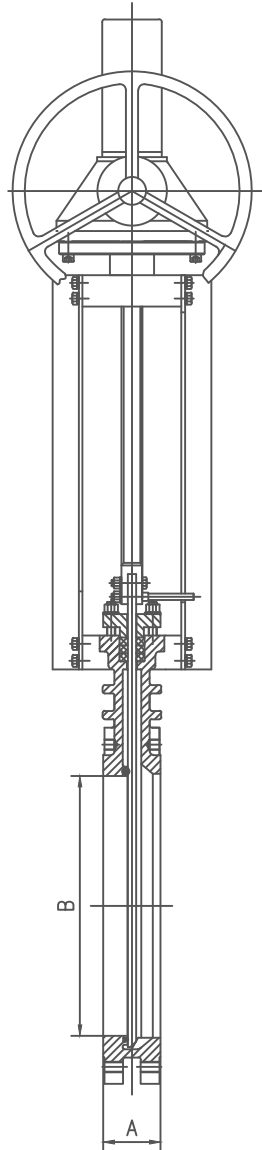
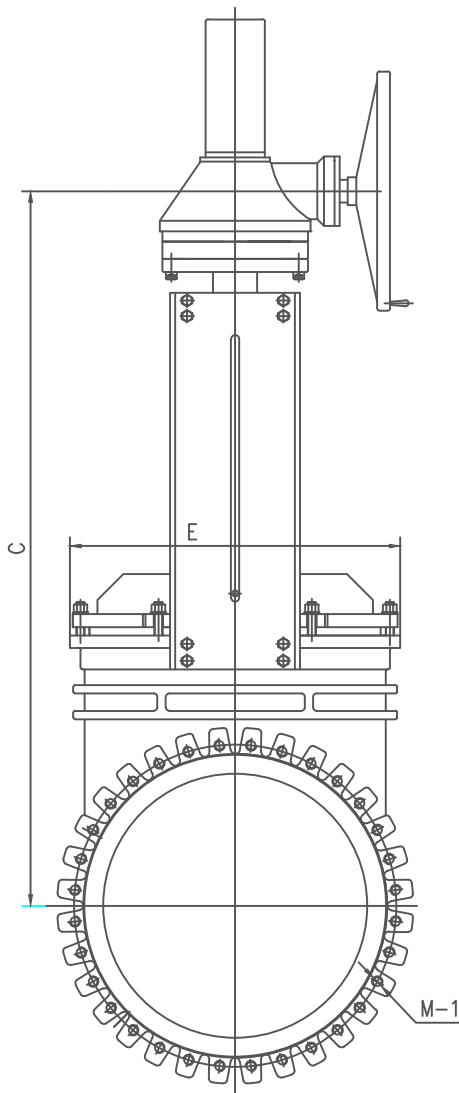


Resilient Seat Knife Gate

Model # 59D - Ductile Iron



Part Name	Material - 59D
Body	Ductile Iron
Gate	SS304
Seat retainer ring	SS304
Seat	EPDM
Packing	PTFE + Silicone
Gland	Ductile Iron
Stem	SS420
Yoke	A36 Carbon Steel
Stem Nut	AL Bronze
Hand Wheel	Carbon Steel

Designed and tested to conform with Tappi TIS 405-8 and MSS-SP81 standards. Flanges match ANSI B16.5

Maximum working pressure: 75CWP

Size	A	B	M-1 (UNC)	C	E	WGT
in						lbs
30	4.62	26.77	28-M1-1/4-7	70.31	34.88	1318
36	4.62	32.48	32-M1-1/2-6	116.54	40.55	1731

