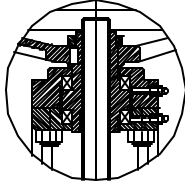


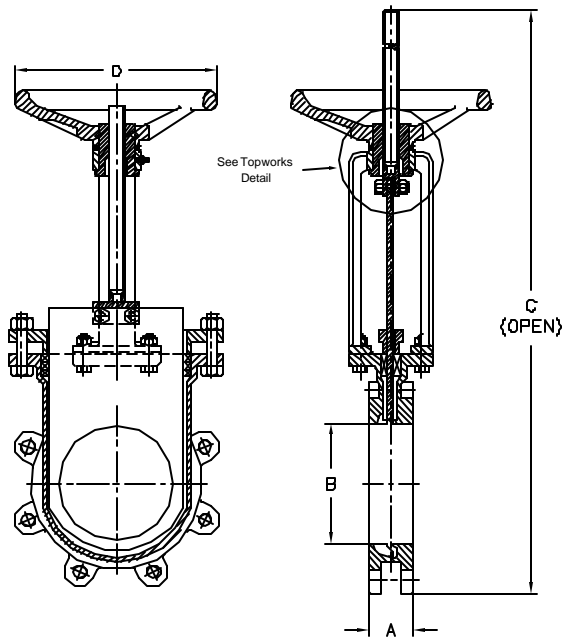
Carbon Steel Knife Gate

TOPWORKS DETAIL

16" TO 48"



Model 60W - WCB



PART NAME	MATERIALS A 216-WCB
BODY	A 216-WCB
GATE	SS 304
YOKE	A 216-WCB
STEM	SS 304
GLAND	A 216-WCB
GLAND PACKING	PTFE
STEM NUT	AL BRONZE
HAND WHEEL	A 216-WCB

SIZE	INCH	2	2½	3	4	5	6	8	10	12	14	16	18	20	24	30	36
	MM	50	65	80	100	127	150	200	250	300	350	400	450	500	600	762	915
A	INCH	1.88	2.0	2.0	2.0	2.25	2.25	2.75	2.75	3.0	3.0	3.5	3.5	4.5	4.5	5.4	6.3
	MM	47.8	50.8	50.8	50.8	57.2	57.2	69.9	69.9	76.2	76.2	88.9	88.9	114.3	114.3	137.1	160.0
B	INCH	2.0	2.5	3.0	4.0	5.0	6.0	8.0	10.0	12.0	13.25	15.25	17.25	19.25	23.25	29.25	35.25
	MM	50.8	63.5	76.2	101.6	127.0	152.4	203.2	254.0	304.8	336.5	387.3	438.1	488.9	590.5	742.9	895.3
C	INCH	15.5	19.3	19.3	23.0	26.2	29.25	36.25	44.0	51.0	57.0	66.0	73.0	79.5	93.0	131.9	151.9
	MM	393.7	490.2	490.2	584.2	665.4	743.0	920.8	1117.6	1295.4	1447.8	1676.0	1854.0	2019.3	2362.2	3350.4	3858.2
D	INCH	8.0	8.0	8.0	10.0	10.0	12.0	14.0	16.0	16.7	18.9	18.9	20.9	20.9	24.8	36.7	36.7
	MM	203.0	203.0	203.0	254.0	254.0	304.8	355.6	406.4	424.1	480.0	480.0	530.8	530.8	630.0	932.1	932.1
WGT	LBS	22		31	38	47	59	64	124	170	201	294	372	503	671	1810	2252
	KGS	10		14	18	22	27	38	56	77	91	133	168	228	305	820	1020

