

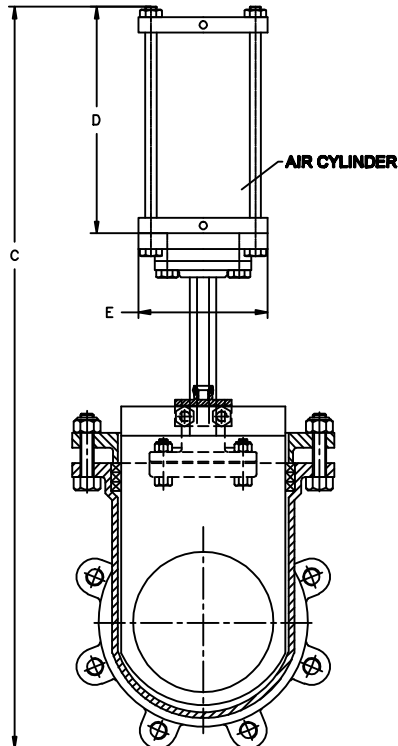
Stainless Steel Knife Gate

AIR CYLINDER

Model 60C - CF8 (304SS)

Model 60F - CF8M (316SS)

Model 60W - WCB



PART NAME	A 216-WCB	A 351-CF8	A 351-CF8M
BODY	A 216-WCB	A 351-CF8	A 351-CF8M
GLAND PACKING	PTFE	PTFE	PTFE
GLAND	A 216-WCB	A 351-CF8	A 351-CF8M
GATE	A 276-304	A 276-304	A 276-316
YOKE	A 216-WCB	A 351-CF8	A 351-CF8
NYLOCK HEX NUT	SS 304	SS 304	SS 304
HEX BOLT	SS 304	SS 304	SS 304
STEM NUT/STEM BUSH	AL BRZ (B 148-Gr D)	AL BRZ (B 148-Gr D)	AL BRZ (B 148-Gr D)
THRUST WASHER	AL BRZ (B 148-Gr D)	AL BRZ (B 148-Gr D)	AL BRZ (B 148-Gr D)
STEM	A 276-304	A 276-304	A 276-304
CLEVIS	A 351-CF8	A 351-CF8	A 351-CF8
NYLOCK HEX NUT	SS 304	SS 304	SS 304
HEX BOLT	SS 304	SS 304	SS 304

SIZE	INCH	2	2½	3	4	5	6	8	10	12	14	16	18	20	24	30	36
	MM	50	65	80	100	127	150	200	250	300	350	400	450	500	600	762	915
Face to Face	INCH	1.88	2.0	2.0	2.0	2.25	2.25	2.75	2.75	3.0	3.0	3.5	3.5	4.5	4.5	5.4	6.3
	MM	47.8	50.8	50.8	50.8	57.2	57.2	69.9	69.9	76.2	76.2	88.9	88.9	114.3	114.3	137.1	160.0
Port Diameter	INCH	2.0	2.5	3.0	4.0	5.0	6.0	8.0	10.0	12.0	13.25	15.25	17.25	19.25	23.25	29.25	35.25
	MM	50.8	63.5	76.2	101.6	127.0	152.4	203.2	254.0	304.8	336.5	387.3	438.1	488.9	590.5	742.9	895.3
C	INCH	---	---	22.5	26.71	---	33.64	40.61	48.38	56.51	62.15	69.69	78.19	84.65	99.57	---	---
	MM	---	---	571	678	---	854	1031	1229	1435	1579	1770	1986	2150	2529	---	---
D	INCH	---	---	7.28	8.27	---	10.24	12.60	14.96	17.72	19.69	21.26	23.62	26.38	30.71	---	---
	MM	---	---	185	210	---	260	320	380	450	500	540	600	670	780	---	---
E	INCH	---	---	4.17	4.53	---	5.51	7.48	8.50	10.63	10.67	10.67	12.76	14.76	16.73	---	---
	MM	---	---	106	115	---	140	190	216	270	271	271	324	375	425	---	---
WGT	LBS	22	---	31	38	47	59	64	124	170	201	294	372	503	671	1810	2252
	KGS	10	---	14	18	22	27	38	56	77	91	133	168	228	305	820	1020

