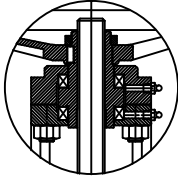


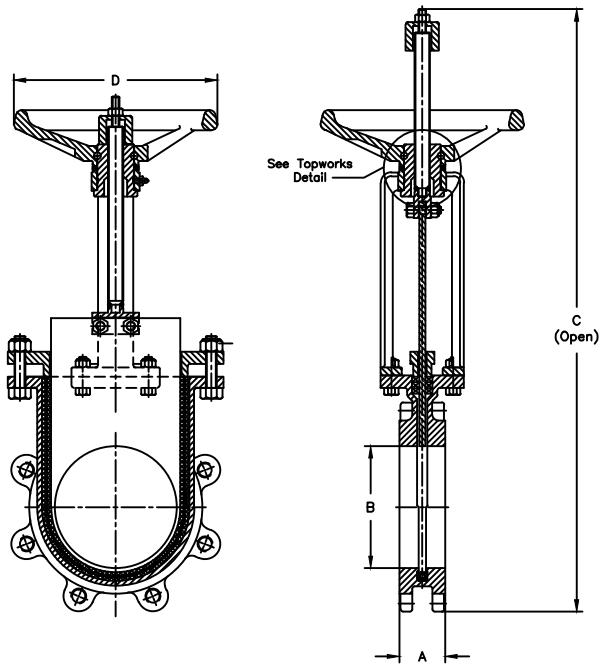
Stainless Steel Knife Gate

Bi-Directional

TOPWORKS DETAIL
16" TO 36"



Model 70C - CF8 (304SS)
Model 70F - CF8M (316SS)
Model 70G - CG8M (317SS)



PART NAME	MATERIALS A 351-CF8	MATERIALS A 351-CF8M	MATERIALS A 351-CG8M
BODY	A 351-CF8	A 351-CF8M	A 351-CG8M
GATE	SS 304	SS 316	SS 317
YOKE	A 351-CF8	A 351-CF8	A 351-CF8
STEM	SS 304	SS 304	SS 304
GLAND	A 351-CF8	A 351-CF8M	A 351-CG8M
GLAND PACKING	PTFE	PTFE	PTFE
WIPER	EPDM	EPDM	EPDM
STEM NUT	B 660	B 660	B 660
HAND WHEEL	A 216-WCB	A 216-WCB	A 216-WCB
SEAT	EPDM	EPDM	EPDM
SEAT RETAINER	SS 316	SS 316	SS 316
STOPPER	SS 304	A 276-304	A 276-304
STOPPER NUT	SS 304	SS 304	SS 304

SIZE	INCH	2	2-1/2	3	4	5	6	8	10	12	14	16	18	20	24	30	36
	MM	50	65	80	100	127	150	200	250	300	350	400	450	500	600	762	915
A	INCH	1.88	2.0	2.0	2.0	2.25	2.25	2.75	2.75	3.0	3.0	3.5	3.5	4.5	4.5	5.4	6.3
	MM	47.8	50.8	50.8	50.8	57.2	57.2	69.9	69.9	76.2	76.2	88.9	88.9	114.3	114.3	137.1	160.0
B	INCH	2.0	2.5	3.0	4.0	5.0	6.0	8.0	10.0	12.0	13.25	15.25	17.25	19.25	23.25	29.25	35.25
	MM	50.8	63.5	76.2	101.6	127.0	152.4	203.2	254.0	304.8	336.5	387.3	438.1	488.9	590.5	742.9	895.3
C	INCH	15.5	19.3	19.3	23.0	26.2	29.25	36.25	44.0	51.0	57.0	66.0	73.0	79.5	93.0	131.9	151.9
	MM	393.7	490.2	490.2	584.2	665.4	743.0	920.8	1117.6	1295.4	1447.8	1676.0	1854.0	2019.3	2362.2	3350.4	3858.2
D	INCH	8.0	8.0	8.0	10.0	10.0	12.0	14.0	16.0	16.7	18.9	18.9	20.9	20.9	24.8	36.7	36.7
	MM	203.0	203.0	203.0	254.0	254.0	304.8	355.6	406.4	424.1	480.0	480.0	530.8	530.8	630.0	932.1	932.1
WGT	LBS	22		31	38	47	59	64	124	170	201	294	372	503	671	1810	2252
	KGS	10		14	18	22	27	38	56	77	91	133	168	228	305	820	1020

