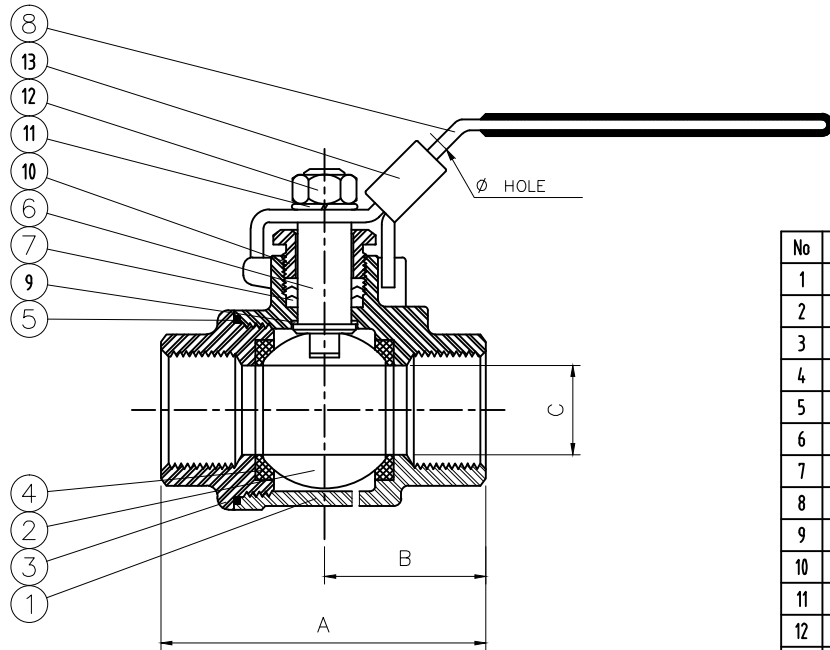
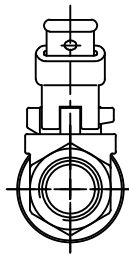
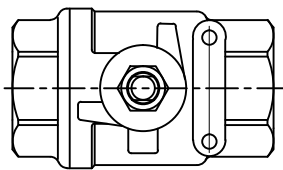


2pc Threaded Ball Valve

1000 WOG Full Port w/Locking Lever

Model # 1WFRL - WCB

Model # 1FFRL - CF8M



Size in	A	B	C
1/4"	2.13	1.06	.25
3/8"	2.13	1.06	.38
1/2"	2.44	1.22	.50
3/4"	2.91	1.46	.75
1"	3.39	1.69	1.00
1-1/4"	3.98	1.99	1.25
1-1/2"	4.25	2.13	1.50
2"	4.84	2.42	2.00
2-1/2"	6.38	3.19	2.50
3"	7.28	3.64	3.00
4"	8.98	4.49	4.00

No	Part Name	Material - 1WFRL	Material - 1FFRL
1	Body	ASTM A216 WCB	ASTM A351 CF8M
2	Ball	ASTM A351 CF8M	ASTM A351 CF8M
3	End Cap	ASTM A216 WCB	ASTM A351 CF8M
4	Seat Ring	RTFE (PTFE + 15% G.F.)	RTFE (PTFE + 15% G.F.)
5	Body Seal	PTFE	PTFE
6	Stem	SS304	SS304
7	Stem Seal	PTFE	PTFE
8	Handle	SS + PVC	SS + PVC
9	Thrust Washer	PTFE	PTFE
10	Gland Nut	SS304	SS304
11	Handle Washer	SS304	SS304
12	Handle Nut	SS304	SS304
13	Locking Device	SS304	SS304

 Davis Valve