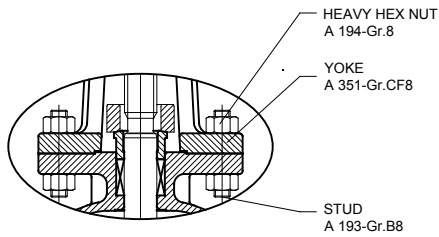


CLASS 900	SIZE	INCH	10
		mm	250
	A	INCH	33.00
		mm	838.2
	ØB	INCH	9.92
		mm	252
	C	INCH	54.5
		mm	1384
	ØD	INCH	32.4
		mm	823



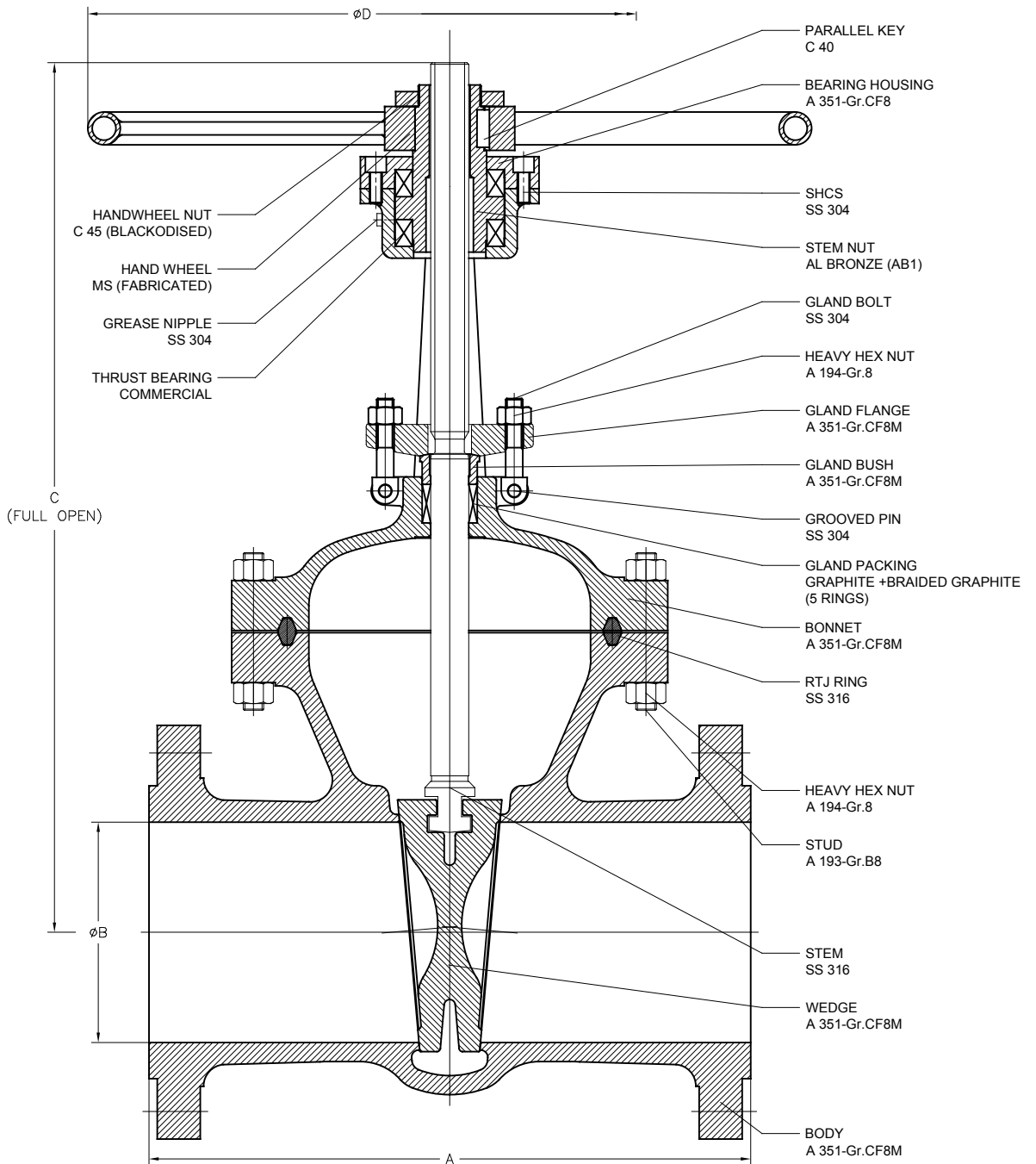
SIDE VIEW  
BONNET/YOKE BOLTING

**DESIGN SPECIFICATIONS**

GENERAL VALVE DESIGN	ASME B16.34
PRESSURE TEMPRATURE RATING	ASME B16.34 (STANDARD)
WALL THICKNESS	ASME B16.34
FLANGE DESIGN	ASME B16.5
FACE TO FACE DIMENSION	ASME B16.10
MATERIALS	ASTM (LISTED BELOW)
VALVE TESTING	API 598

**TESTING PRESSURE**

#900	MEDIUM	PSI	BAR
SHELL TEST	WATER	3250	224.1
BACKSEAT TEST	WATER	2400	165.5
SEAT TEST	WATER	2400	165.5



DIMENSIONS IN INCHES & (mm)	TYPE	WEDGE GATE VALVE	
IF IN DOUBT PLEASE ASK	SIZE	10"	CLASS #900
WE RESERVE ALL RIGHTS	ENDS	FLANGED - RF	
	Drg. No.	10 G4 0559 R00	

**DAVIS VALVE**

**CERTIFIED DRAWING**