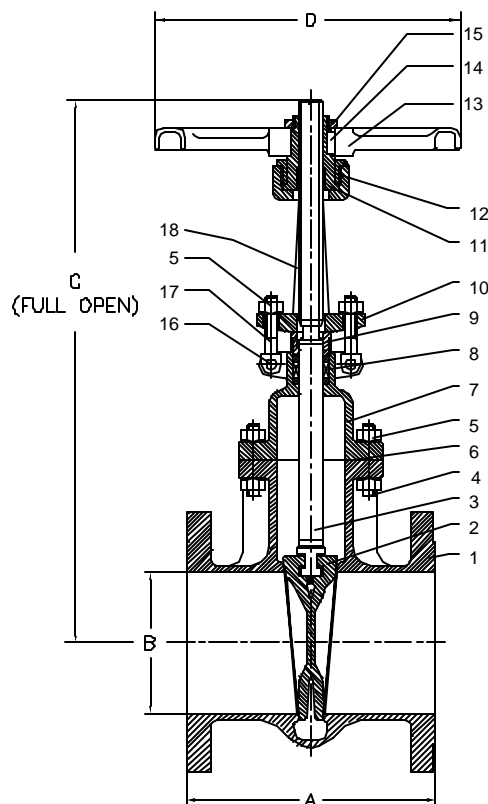


Stainless Steel Gate Valve

Model #10

Class 150 (1" to 24")

Precision machined flex wedge gate and seat for tight shutoff
 Heavy duty cast construction
 Body-guided wedge insures alignment, low closing torques
 and reduced noise and vibration
 Integral backseat
 Outside screw and yoke, non-rising handwheel, rising stem
 Rugged carbon steel handwheel
 Available in a wide range of alloys



NO.	PART NAME	A 351-CF8M	A 351-CN7M
1	BODY	A 351-CF8M	A 351-CN7M
2	WEDGE	A 351-CF8M	A 351-CN7M
3	STEM	A 276-316	A 351-CN7M
4	STUD	A 193-BB	A 193-BBM
5	HEX NUT	A 194-8	A 194-8M
6	GASKET	PTFE	PTFE
7	BONNET	A 351-CF8M	A 351-CN7M
8	GLAND PACKING	BRAIDED PTFE	BRAIDED PTFE
9	GLAND BUSH	A 276-316	A 351-CN7M
10	GLAND FLANGE	A 276-316	A 351-CN7M
11	STEM NUT	AL BRONZE (B 148-Gr D)	AL BRONZE (B 148-Gr D)
12	BONNET BUSH	A276-304/A 351-CF8	A276-304/A 351-CF8
13	HAND WHEEL	A 216-WCB/DUCTILE IRON	A 216-WCB/DUCTILE IRON
14	PARALLEL KEY	C 40	C 40
15	HAND WHEEL NUT	STEEL	STEEL
16	GROOVED PIN	A 276-304	A 276-304
17	GLAND BOLT	A 182-F304	A 182-F304
18	YOKE	A 351-CF8M *	A 351-CN7M *

* YOKE FOR 14" AND UP IS CFB

Designed to ANSI B16.34,
 API 603, tested to API 598.
 Face to face ANSI B16.10,
 Flanges to ANSI B16.5

SIZE	INCH	1	1½	2	2½	3	4	5	6	8	10	12	14	16	18	20	24
		MM	25	40	50	65	80	100	125	150	200	250	300	350	400	450	500
A	INCH	5	6.5	7	7.5	8	9	10	10.5	11.5	13	14	15	16	17	18	20
	MM	127	165	178	190	203	229	254	267	292	330	356	381	406	432	457	508
A (BWE)	INCH	5	6.5	8.5	9.5	11.1	12	15	15.9	16.5	18	19.75	22.5	24	26	28	32
	MM	127	165	216	241	282	305	381	403	419	457	502	572	610	660	711	813
B	INCH	1	1.5	2	2.5	3	4	5	6	8	10	12	13.25	15.25	17.25	19.25	23.25
	MM	25	38	51	64	76	102	127	152	203	254	305	337	387	438	489	591
C	INCH	8.9	11.3	13.4	15.7	19.3	22.7	27.4	30.3	39	43.9	54.5	63	66.9	70.9	74.8	82.7
	MM	225	288	340	398	490	577	695	770	990	1115	1385	1600	1700	1800	1900	2100
D	INCH	4.7	6.7	6.7	6.7	7.4	8.7	11.4	11.4	13.8	15.7	15.7	19.7	19.7	19.7	24	24
	MM	120	170	170	170	189	222	290	290	350	400	400	500	500	500	600	600
Weight	LBS	7	20	31	42	52	81	106	141	224	322	458	657	825	1466	1940	2194
	KGS	3	9	14	19	24	37	48	64	102	146	208	298	374	665	880	995

