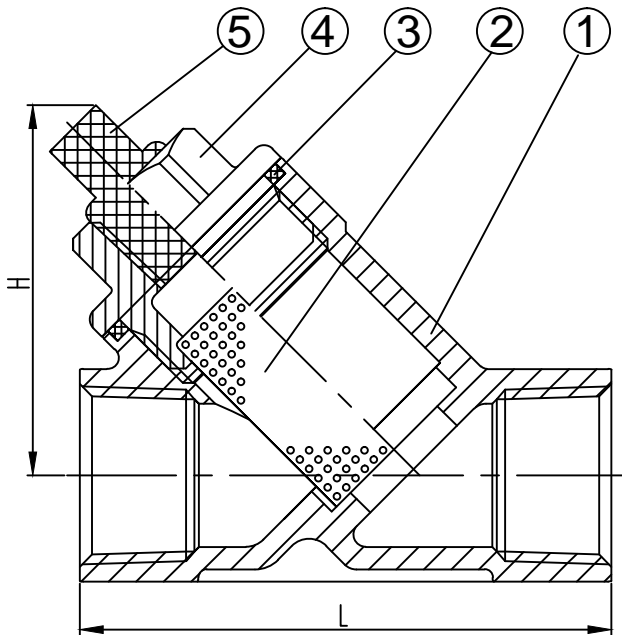


Stainless Steel Strainer

Threaded Ends

Model # 8TYSF

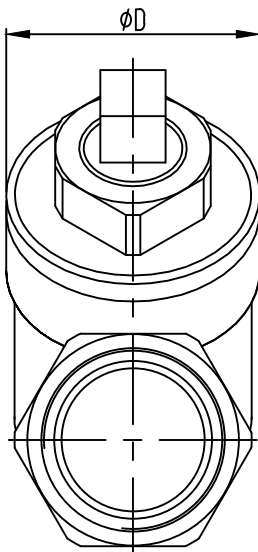
800 WOG (1/4" to 2")



FEATURES:

- CLASS 800 W.O.G.
- INVESTMENT CAST BODY
- MAXIMUM WORKING TEMPERATURE 445°F

ITEM	PART NAME	MATERIAL
1	BODY	CF8M
2	SCREEN	SUS304
3	GASKET	PTFE
4	CAP	CF8M
5	STOPPER	SUS304



SIZE	NPS	1/4"	3/8"	1/2"	3/4"	1"	1-1/4"	1-1/2"	2"
	DN	6	10	15	20	25	32	40	50
inches	L	2.56	2.56	2.56	3.15	3.15	4.13	4.72	5.51
	H	1.77	1.77	1.77	2.09	2.56	2.76	3.15	4.06
	D	1.22	1.22	1.22	1.42	1.77	1.97	2.32	2.95
Wgt/Lbs		.55	.55	.55	.79	1.52	1.90	2.25	4.14

 Davis Valve