

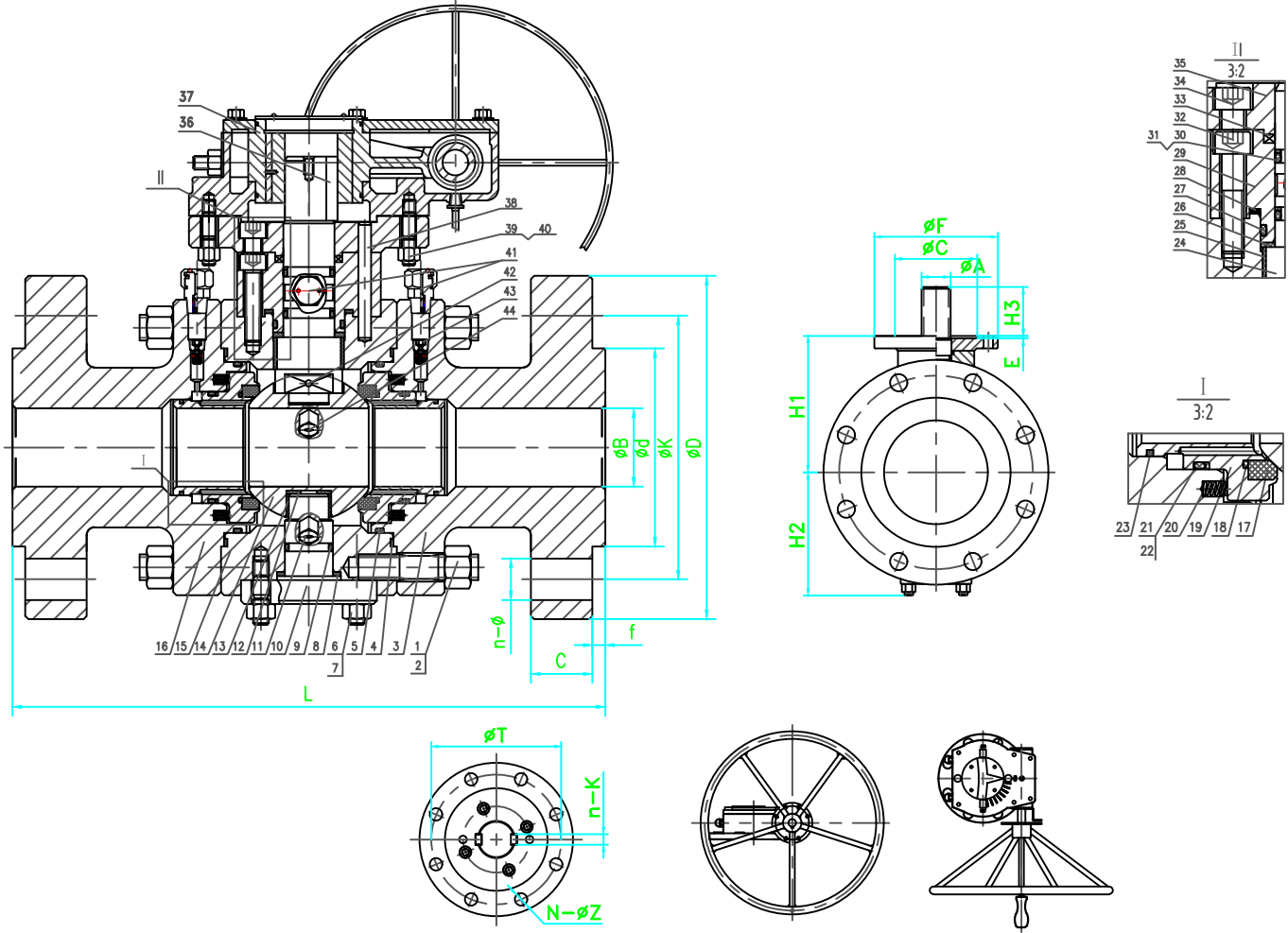
# Trunnion Mounted Full Port Ball Valve

Class 1500 Flanged

Model # T150FBA-FWFN-FS (A105)

Model # T150FBA-FFFN-FS (F316)

Technical Requirements		Nominal Pressure	CLASS 1500LB
Design and Manufacture	API 6D/ASME B16.34	Shell Test	5656
Face to Face/End to End	ASME/ANSI B16.10	Seal Test	4148
Flange Dimension	ASME/ANSI B16.5	Gas Seal Test	87
Inspection & Test	API 598	Working Temp	-20~248 F
Mounting Pad	ISO 5211	Suitable Medium	Water,Oil,Gas
Other requirements	NACE MR0175	Fire-proof design	API 607



NO	PART	MATERIAL A105	MATERIAL F316
1	STUD	ASTM A193 B7M	A193 B8M
2	NUT	ASTM 194 2HM	A194 8M
3	BODY	ASTM A105	A182 F316
4	GASKET	SS316+GRAPHITE	SS316+GRAPHITE
5	O-RING	VITON(AED)	VITON(AED)
6	STUD	ASTM A193 B7M	A193 B8M
7	NUT	ASTM A194 2HM	A194 8M
8	GASKET	SS316+GRAPHITE	SS316+GRAPHITE
9	O-RING	VITON(AED)	VITON(AED)
10	LOWER COVER	A105+ENP	A182 F316
11	DRAIN VALVE	A105ENP	A182 F316
12	THRUST BEARING	PTFE	PTFE
13	STEM BEARING	316+PTFE	316+PTFE
14	BALL	A182 F316	A182 F316
15	BODY	ASTM A105	A182 F316
16	BODY	ASTM A105	A182 F316
17	SEAT	PEEK	PEEK
18	O-RING	VITON(AED)	VITON(AED)
19	SEAT RETAINER	A182 F316	A182 F316
20	SPRING	INCONEL X750	INCONEL X750
21	O-RING	VITON(AED)	VITON(AED)
22	THRUST WASHER	PTFE	PTFE
23	SEAL	GRAPHITE	GRAPHITE
24	STEM	A182 F51	A182 F51
25	STEM BEARING	316+PTFE	316+PTFE
26	THRUST BEARING	PTFE	PTFE
27	O-RING	VITON(AED)	VITON(AED)
28	GASKET	SS316+GRAPHITE	SS316+GRAPHITE
29	SEAL COVER	A105+ENP	A182 F316
30	THRUST WASHER	PTFE	PTFE
31	O-RING	VITON(AED)	VITON(AED)
32	BOLT	ASTM A193 B7M	A193 B8M
33	PACKING	1/2PTFE+1/2GRAPHITE	GRAPHITE
34	BOLT	ASTM A193 B7M	A193 B8M
35	PLATE	CS+Zn	SS
36	KEY	1045	1045
37	GEAR	VARIOUS	VARIOUS
38	PIN	1035	1035
39	STUD	ASTM A193 B7M	A193 B8M
40	NUT	ASTM A194 2HM	A194 8M
41	INJECTION VALVE	A105+Zn	A182 F316
42	ANTI-STATIC DEVICE	SS316	SS316
43	CHECK VALVE	A105+Zn	A182 F316
44	RELEASE VALVE	A105+Zn	A182 F316

NPS(DN)	L(RF)	B	D	K	d	C	f	n-Ø	A	U	F	E	T	H1	H2	H3	n-K	N-Z
2"(50)	14.49	1.97	8.46	6.50	3.62	1.52	0.28	8-1	1.18	3.35	1.89	0.16	4.92	5.71	4.37	1.57	2-31	4-55
3"(80)	18.50	2.91	10.43	7.99	5.00	1.89	0.28	8-1.25	1.65	5.12	8.27	0.20	6.50	7.13	5.87	2.36	2-47	4-91
4"(100)	21.50	3.94	12.20	9.51	6.18	2.13	0.28	8-1.38	1.89	5.12	8.27	0.20	6.50	8.19	7.09	2.36	2-55	4-91

