

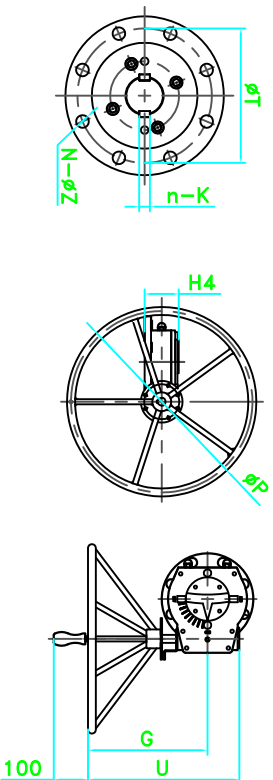
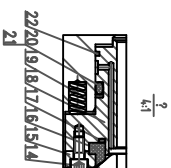
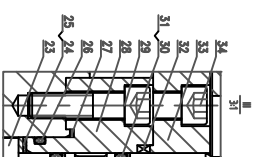
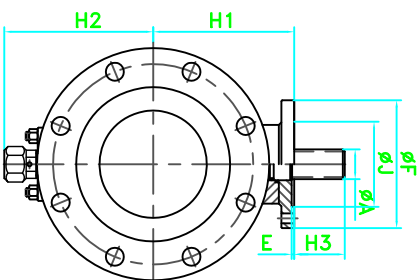
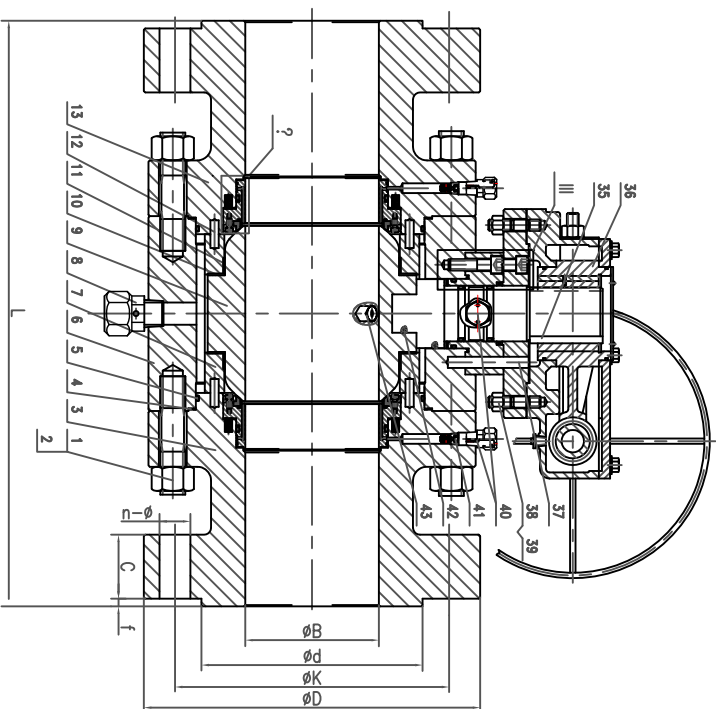
Trunnion Mounted Full Port Ball Valve

Class 1500 Flanged

Model # T150FBA-FWFN-FS (A105)

Model # T150FBA-FFFN-FS (F316)

Technical Requirements		Nominal Pressure	
Design and Manufacture	API 6D/ASME B16.34	Shell Test	CLASS 1500LB
Face to Face/End to End	ASME/ANSI B16.10	Seal Test	5686
Flange Dimension	ASME/ANSI B16.5	Gas Seal Test	4148
Inspection & Test	API 598	Working Temp	87
Mounting Pad	ISO 3211	Water/Oil/Gas	F
Other requirements	INCE MW075	Fire-proof design	API 607



NO	PART	MATERIAL A105	MATERIAL F316
1	STUD	ASTM A193 B7M	A193 B7M
2	NUT	ASTM 194 2HM	A194 8M
3	BODY	ASTM A105	A182 F316
4	GASKET	SS316-GRAPHITE	SS316-GRAPHITE
5	O-RING	VITON(AED)	VITON(AED)
6	BODY	ASTM A105	A182 F316
7	BEARING HOLDER	F316	F316
8	DRAIN VALVE	A105ENP	A182 F316
9	BALL	A182 F316	A182 F316
10	STEM BEARING	316+PTE	316+PTE
11	THRUST BEARING	PTE	PTE
12	PN	1035	1035
13	BODY	ASTM A105	A182 F316
14	BOLT	ASTM A193 B7M	A193 B7M
15	SEAT RING	A182 F316	A182 F316
16	SEAT	DEVILON	DEVILON
17	O-RING	VITON(AED)	VITON(AED)
18	SEAT RETAINER	A182 F316	A182 F316
19	SPRING	INCONEL X750	INCONEL X750
20	O-RING	VITON(AED)	VITON(AED)
21	THRUST WASHER	PTE	PTE
22	SEAL	GRAPHITE	GRAPHITE
23	STEM	A182 F51	A182 F51
24	THRUST BEARING	PTE	PTE
25	THRUST WASHER	PTE	PTE
26	O-RING	VITON(AED)	VITON(AED)
27	GASKET	SS316-GRAPHITE	SS316-GRAPHITE
28	SEAL COVER	A105-ENP	A182 F316
29	BOLT	ASTM A193 B7M	A193 B7M
30	THRUST WASHER	PTE	PTE
31	O-RING	VITON(AED)	VITON(AED)
32	PACKING	GRAPHITE	GRAPHITE
33	PLATE	Cs-Zn	SS
34	BOLT	ASTM A193 B7M	A193 B7M
35	KEY	1045	1045
36	GEAR	VARIOUS	VARIOUS
37	PN	1035	1035
38	STUD	ASTM A193 B7M	A193 B7M
39	NUT	ASTM A194 2HM	A194 8M
40	INJECTION VALVE	A105+Zn	A182 F316
41	CHECK VALVE	A105+Zn	A182 F316
42	ANTI-STATIC DEVICE	SS316	SS316
43	RELEASE VALVE	A105-Zn	A182 F316

NP(S)DN	L(R)F	B	D	K	d	C	f	n-Ø	A	J	F	E	T	H1	H2	H3	n-K	N-Z	P	H4	G	U
6"(150)	27.76	5.67	11.61	12.50	8.50	3.27	0.28	12-15	2.36	7.87	11.81	0.20	10.00	10.26	8.66	3.15	2-.71	8-.71	600	135	4.30	590