

Trunnion Mounted Full Port Ball Valve

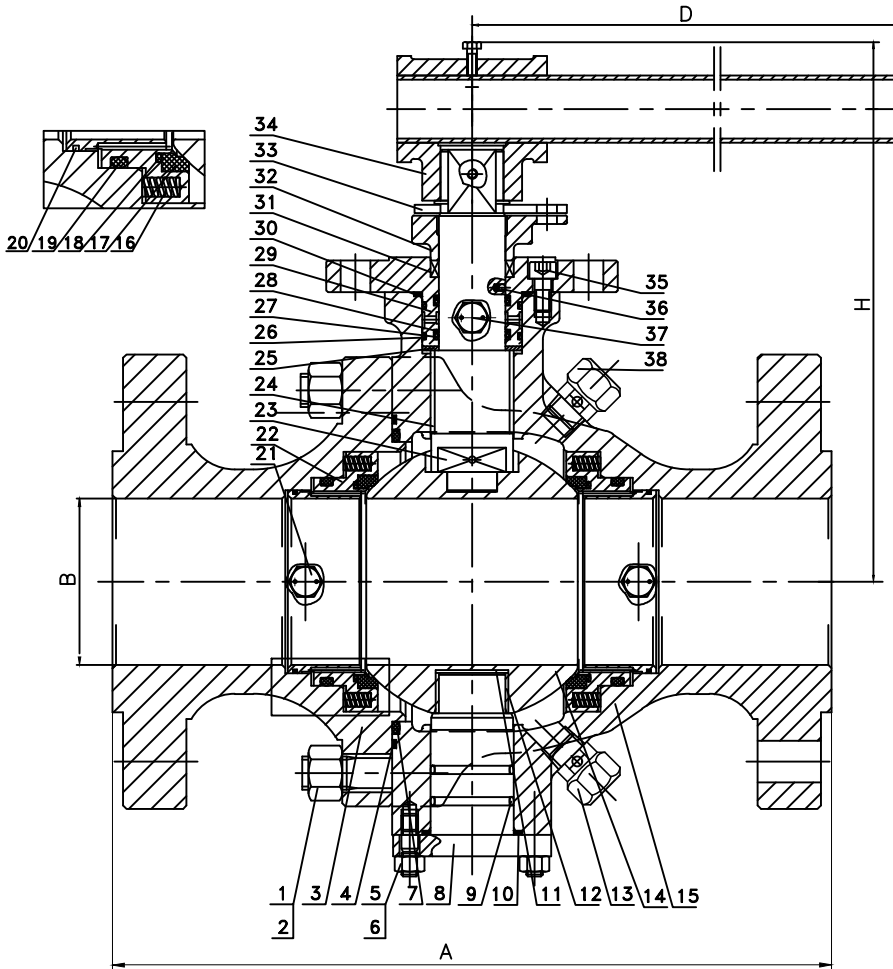
Model # T60FBA-FWFR-FS (WCB)

Model # T60FBA-FFFR-FS (CF8M)

Technical requirements:

1. Design and Manufacture Standard ASME B16.34 API 6D
2. Face to Face ASME/ANSI B16.10
3. Flange Dimension : ASME/ANSI B16.5
4. Inspection and Test Standard: API598
5. API 607 Fire Safe
6. ISO 5211 mounting pad
7. NACE MR 0175

Size in	A	B	C	D	Wgt lbs
2	11.5	2.0	5.7	14.2	60
2-1/2	13.0	2.5	6.7	14.2	90
3	14.0	3.0	7.1	14.2	119
4	17.0	4.0	8.9	18.1	212



No	Part	Material WCB	Material CF8M
1	Stud	A193 B7M	A193 B8M
2	Nut	A194 2HM	A194 8M
3	Bonnet	A216 WCB	A351 CF8M
4	Gasket	Graphite	Graphite
5	Stud	A193 B7M	A193 B8M
6	Nut	A194 2HM	A194 8M
7	O-Ring	Viton	Viton
8	Lower Cover	316ss	316ss
9	O-Ring	Viton	Viton
10	Gasket	Graphite	Graphite
11	Thrust Bearing	PTFE	PTFE
12	Stem Bearing	PTFE+316	PTFE+316
13	Drain Valve	316ss	316ss
14	Ball	316ss	316ss
15	Body	A216 WCB	A351 CF8M
16	Spring	X750	X750
17	Seat	RPTFE	RPTFE
18	O-Ring	Viton	Viton
19	O-Ring	Viton	Viton
20	Packing	Graphite	Graphite
21	Grease Valve	316	316
22	Seat Retainer	A105+ENP	F316
23	Stem	316	316
24	Stem Bearing	PTFE+316	PTFE+316
25	Thrust Bearing	PTFE	PTFE
26	O-Ring	Viton	Viton
27	O-Ring	Viton	Viton
28	Gasket	PTFE	PTFE
29	Seal Cover	A105+ENP	A105+ENP
30	Gasket	Graphite	Graphite
31	Packing	Graphite	Graphite
32	Gland	A105+ENP	F316
33	Stop	CS+Zn	SS
34	Sleeve	A216 WCB	A351 CF8M
35	Screw	A193 B7M	A193 B8M
36	Anti-Static	316	316
37	Grease Valve	316	316
38	Release Valve	316	316