

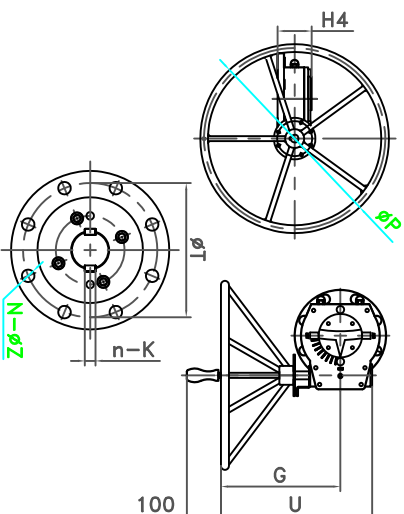
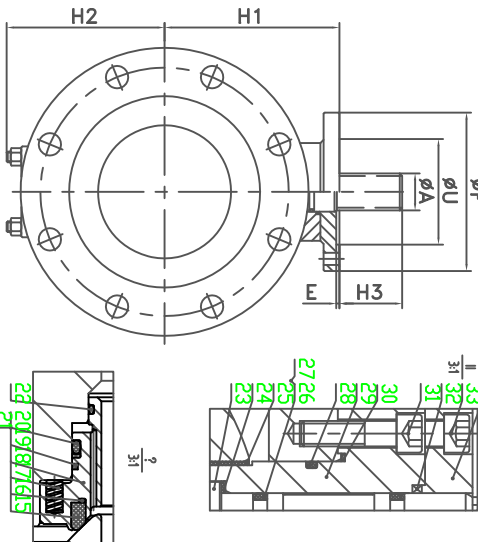
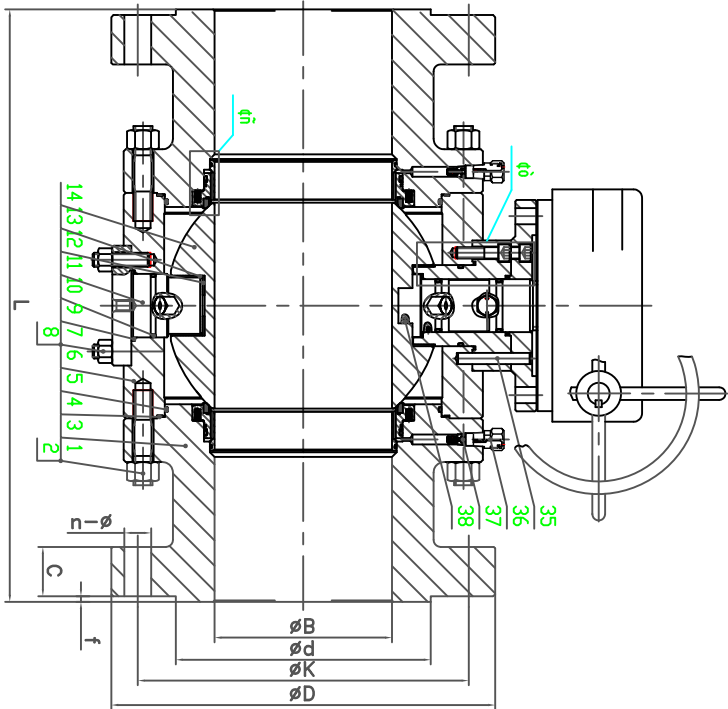
Trunnion Mounted Full Port Ball Valve

Class 900 Flanged

Model # T90FBA-FWFN-FS (A105)

Model # T90FBA-FFFN-FS (F316)

Technical Requirements		CLASS 900LB
Design and Manufacture	API 6D/ASME B16.34	Shell Test 3264
Face to Face/End to End	ASME/ANSI B16.10	Seal Test 2393
Flange Dimension	ASME/ANSI B16.5	Gas Seal Test 87
Inspection & Test	API 598	Working Temp. -20--248 F
Mounting Pad	ISO 5211	Suitable Medium Water/Oil/Gas
Other requirements	WME IM0175	Fire-proof design API 607



NO	PART	MATERIAL A105	MATERIAL F316
1	STUD	ASTM A193 B7M	A193 B7M
2	NUT	ASTM 194 2HM	A194 8M
3	BODY	ASTM A105	A182 F316
4	GASKET	SS316-GRAPHITE	SS316-GRAPHITE
5	O-RING	VITON(AED)	VITON(AED)
6	BODY	ASTM A105	A182 F316
7	STUD	ASTM A193 B7M	A193 B7M
8	NUT	ASTM A194 2HM	A194 8M
9	GASKET	SS316-GRAPHITE	SS316-GRAPHITE
10	O-RING	VITON(AED)	VITON(AED)
11	LOWER COVER	A105+ENP	A182 F316
12	THRUST BEARING	PTE	PTE
13	STEM BEARING	316+PTE	316+PTE
14	BALL	A182 F316	A182 F316
15	SEAT	DEVON	DEVON
16	O-RING	VITON(AED)	VITON(AED)
17	SPRING	INCONEL X750	INCONEL X750
18	SEAT RETAINER	A182 F316	A182 F316
19	SEAL	GRAPHITE	GRAPHITE
20	O-RING	VITON(AED)	VITON(AED)
21	THRUST WASHER	PTE	PTE
22	O-RING	VITON(AED)	VITON(AED)
23	STEM	A182 F51	A182 F51
24	THRUST BEARING	PTE	PTE
25	STEM BEARING	316+PTE	316+PTE
26	THRUST WASHER	PTE	PTE
27	O-RING	VITON(AED)	VITON(AED)
28	O-RING	VITON(AED)	VITON(AED)
29	SEAL COVER	A105+ENP	A182 F316
30	GASKET	SS316-GRAPHITE	SS316-GRAPHITE
31	BOLT	ASTM A193 B7M	A193 B7M
32	PACKING	1/2PTE+1/2GRAPHITE	GRAPHITE
33	BOLT	ASTM A193 B7M	A193 B7M
34	PLATE	CS+Zn	SS
35	PNM	1035	1035
36	INJECTION VALVE	A105+Zn	A182 F316
37	CHECK VALVE	A105+Zn	A182 F316
38	ANTI-STATIC DEVICE	SS316	SS316

NP(SDN)	LR(F)	B	D	K	d	c	f	n-Ø	A	U	F	E	T	H1	H2	H3	n-K	N-Z
4" (100)	17.99	3.94	11.42	9.25	6.18	1.75	0.28	8-1.25	1.89	5.12	8.27	0.20	6.50	8.39	7.09	2.36	2-5.5	4-8.8
6" (150)	24.02	5.91	14.96	12.50	8.50	2.20	0.28	12-1.25	1.97	7.87	11.81	0.20	10.00	9.84	10.24	2.56	2-5.5	8-7.1
8" (200)	29.02	7.91	18.50	15.50	10.63	2.50	0.28	12-1.5	2.36	7.87	11.81	0.20	10.00	11.61	10.12	2.95	2-7.1	8-7.1
10" (250)	32.99	9.92	21.46	18.50	12.76	2.76	0.28	16-1.5	2.76	7.87	11.81	0.20	10.00	12.99	11.81	3.74	2-7.9	8-7.1
12" (300)	37.99	11.93	24.02	21.00	15.00	3.13	0.28	20-1.5	3.35	7.87	11.81	0.20	10.00	14.57	13.50	4.33	2-8.7	8-7.1