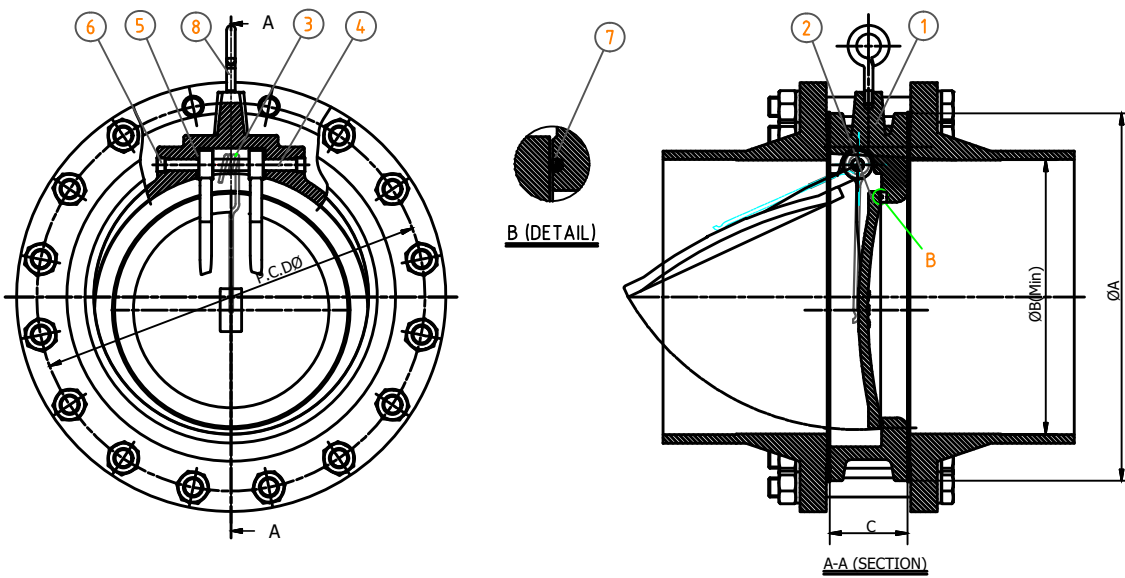


Single Clapper Wafer Check Valve 125#

Model 1280FV - Iron Body / 316 Disc - Viton Seat

General Valve Design: API 594
 Working Pressure: ASME B16.34
 Face to Face Dimension: API 594
 Materials: ASTM
 Valve Testing: API 598



Part No	Part Name	Material	Qty
1	BODY	A126 CLASS B	1
		A536 65-45-12	
2	DISC	A351 CF8M	1
3	SPRING	SUS 316	1
4	HINGE PIN	SUS 316	1
5	BODY BEARING	SUS 316	2
6	RETAINER	SUS 316	2
7	SEAT	VITON	1
8	EYE BOLT	SS400	1

SIZE	ØA	ØB(Min)	C
2"	4.13	1.34	1.75
2.5"	4.88	1.57	1.87
3"	5.37	1.97	2.00
4"	6.87	2.91	2.25
5"	7.76	3.70	2.50
6"	8.74	4.57	2.75
8"	10.98	5.98	2.87
10"	13.37	7.60	3.13
12"	16.12	9.17	3.37

