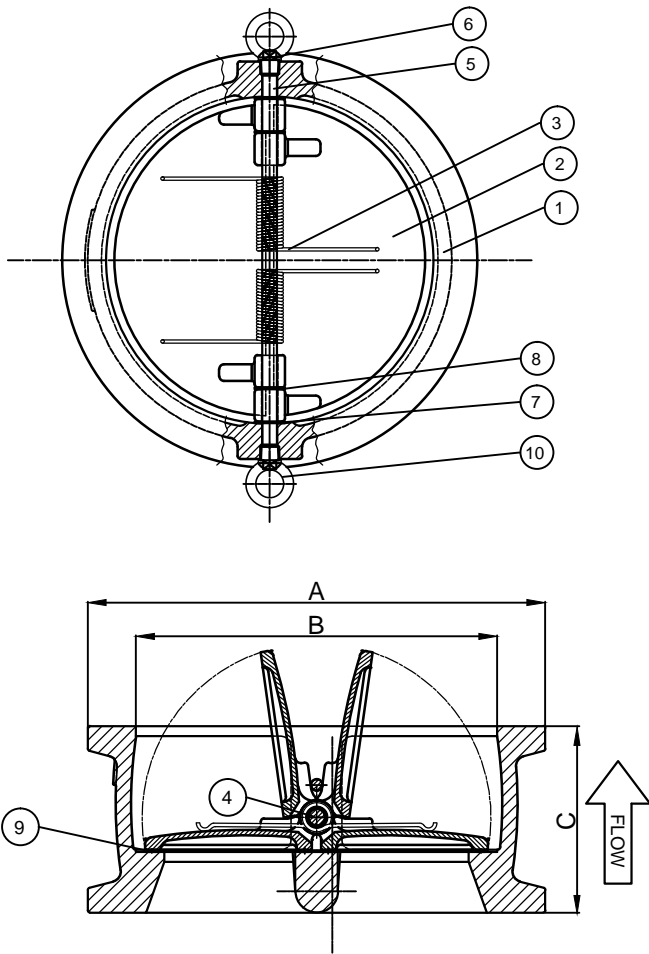


Wafer Check Valve 125#

Model 1260BB - Iron Body / Al Brz Disc - Buna Seat
 Model 1260FB - Iron Body / 316 Disc - Buna Seat
 Model 1260FV - Iron Body / 316 Disc - Viton Seat

General Valve Design: API 594
 Working Pressure: ASME B16.34
 Face to Face Dimension: API 594
 Materials: ASTM
 Valve Testing: API 598



PART NO.	PART NAME	MATERIAL	Q'TY	REMARK
1	BODY	A126 CAST IRON	1	
2	PLATE	ALUMINUM BRONZE	2	
		A351 CF8M		
3	SPRING	316SS	1	1½ ~ 5"
			2	6"~20"
			4	24"~36"
4	HINGE PIN	316SS	1	
5	STOP PIN	316SS	1	
6	RETAINER	316SS	4	
7	BODY BEARING	PTFE	2	
8	PLATE BEARING	PTFE	2	
9	SEAT	NBR or VITON	1	
10	EYE BOLT	A105	1	6"~20"
			2	24"~36"

SIZE	INCH	1½	2	2½	3	4	5	6	8	10	12	14	16	18	20	24	30	36
	MM	38	50	65	80	100	127	150	200	250	300	350	400	450	500	600	762	915
A	INCH	-	4.13	4.88	5.38	6.88	7.75	8.75	11.0	13.38	16.13	17.75	20.25	21.62	23.88	28.25	34.75	41.25
	MM	-	105	124	137	175	197	220	279	340	410	451	514	549	606	718	883	1048
B	INCH	-	2.37	2.88	3.5	4.5	5.56	6.62	8.62	10.75	12.75	14.0	16.0	18.0	20.0	24.0	30.0	36.0
	MM	-	60	73	89	114	141	168	219	274	324	356	406	457	508	610	762	914
C	INCH	-	2.13	2.13	2.25	2.5	2.75	3.0	3.75	4.25	5.63	7.25	7.5	8.0	8.38	8.75	12.0	14.0
	MM	-	54	54	57	64	70	76	95	108	143	184	191	203	213	222	305	356
WGT	LBS	-	4	6	7	12	15	20	35	60	110	161	220	270	319	473	925	1700
	KGS	-	1.8	2.7	3.2	5.4	6.8	9	15.9	27.2	50	73	99.8	122.5	144.7	214.6	419.6	771

