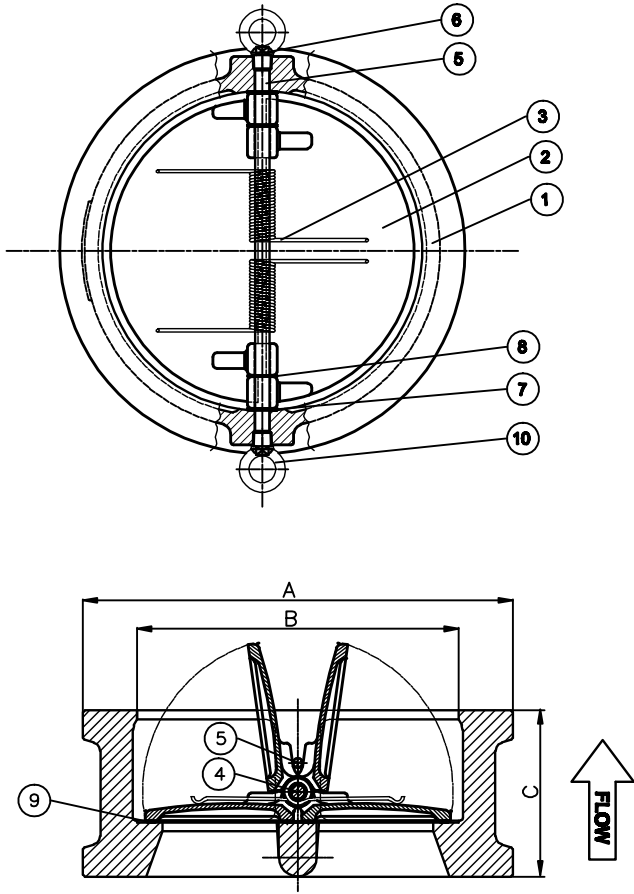


Wafer Check Valve 1500#

Model 15063 - 316 Body / 316 Disc - Metal Seat



General Valve Design: API 594
 Working Pressure: ASME B16.34
 Face to Face Dimension: API 594
 Materials: ASTM
 Valve Testing: API 598

PART NO.	PART NAME	MATERIAL	Q'TY	REMARK
1	BODY	A351 CF8M	1	
2	PLATE	CF8M	2	
3	SPRING	INCONEL	1	2 ~ 5"
			2	6"~20"
			4	24"~36"
4	HINGE PIN	316 SS	1	
5	STOP PIN	316 SS	1	
6	RETAINER	316 SS	4	
7	BODY BEARING	316 SS	2	
8	PLATE BEARING	316 SS	2	
9	SEAT	METAL	1	
10	EYE BOLT	A105	1	6"~20"
			2	24"~36"

SIZE	INCH	1½	2	2½	3	4	5	6	8	10	12	14	16	18	20	24	30	36
	MM	38	50	65	80	100	127	150	200	250	300	350	400	450	500	600	762	915
A	INCH	-	5.63	6.5	6.89	8.27	-	11.14	13.86	17.13	20.5	22.75	25.25	27.75	-	-	-	-
	MM	-	143	165	175	210	-	283	352	435	521	578	641	705	-	-	-	-
B	INCH	-	2.37	2.87	3.5	4.5	-	6.62	8.62	10.75	12.75	14.0	16.0	18.0	-	-	-	-
	MM	-	60	73	89	114	-	168	219	274	324	356	406	457	-	-	-	-
C	INCH	-	2.75	3.27	3.27	4.0	-	6.25	8.11	9.75	12.0	14.0	15.12	18.43	-	-	-	-
	MM	-	70	83	83	102	-	159	206	248	305	356	384	468	-	-	-	-
WGT	LBS	-	14	23	23	39	-	111	219	397	700	-	-	-	-	-	-	-
	KGS	-	6.4	10	10	18	-	50	99	180	318	-	-	-	-	-	-	-

