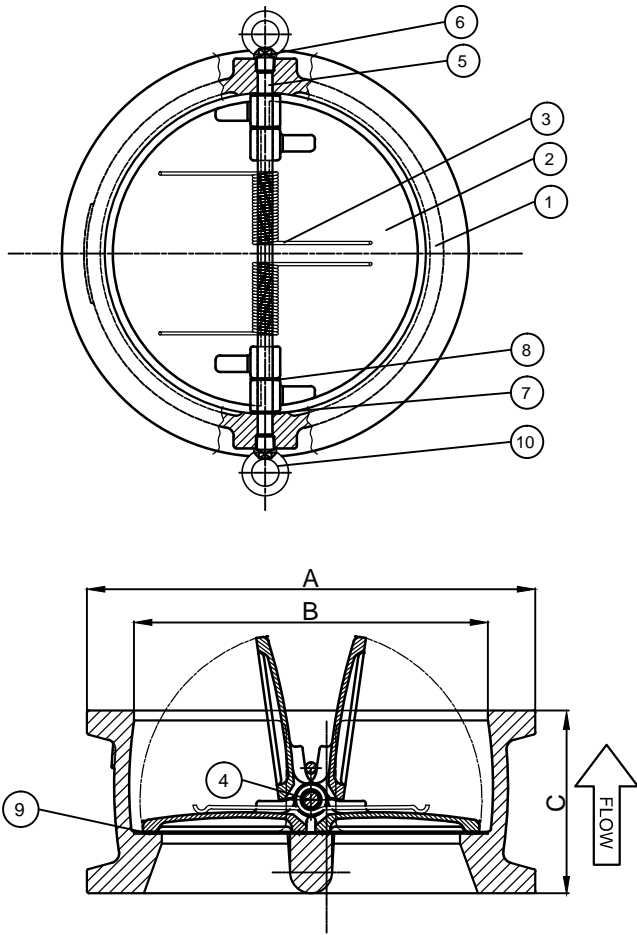


Wafer Check Valve 300#

Model 3064 - 316 Body / 316 Disc - Viton Seat



General Valve Design: API 594
 Working Pressure: ASME B16.34
 Face to Face Dimension: API 594
 Materials: ASTM
 Valve Testing: API 598

| PART NO. | PART NAME | MATERIAL | Q'TY | REMARK |
|----------|---------------|-----------|------|-------------|
| 1 | BODY | A351 CF8M | 1 | |
| 2 | PLATE | CF8M | 2 | |
| 3 | SPRING | INCONEL | 1 | 1-1/2" - 5" |
| | | | 2 | 6"-20" |
| | | | 4 | 24"-36" |
| 4 | HINGE PIN | 316 SS | 1 | |
| 5 | STOP PIN | 316 SS | 1 | |
| 6 | RETAINER | 316 SS | 4 | |
| 7 | BODY BEARING | 316 SS | 2 | |
| 8 | PLATE BEARING | 316 SS | 2 | |
| 9 | SEAT | VITON | 1 | |
| 10 | EYE BOLT | A105 | 1 | 6"-20" |
| | | | 2 | 24"-36" |

| SIZE | INCH | 1 1/2 | 2 | 2 1/2 | 3 | 4 | 5 | 6 | 8 | 10 | 12 | 14 | 16 | 18 | 20 | 24 | 30 | 36 |
|------|------|-------|------|-------|------|------|------|------|-------|-------|-------|-------|-------|-------|-------|------|-------|-----|
| | MM | 38 | 50 | 65 | 80 | 100 | 127 | 150 | 200 | 250 | 300 | 350 | 400 | 450 | 500 | 600 | 762 | 915 |
| A | INCH | - | 4.37 | 5.12 | 5.87 | 7.13 | 8.5 | 9.88 | 12.13 | 14.25 | 16.61 | 19.13 | 21.26 | 23.5 | 25.75 | 30.5 | 37.5 | - |
| | MM | - | 111 | 130 | 149 | 181 | 216 | 251 | 308 | 362 | 422 | 486 | 540 | 597 | 654 | 775 | 953 | - |
| B | INCH | - | 2.37 | 2.87 | 3.5 | 4.5 | 5.56 | 6.62 | 8.62 | 10.75 | 12.75 | 14 | 16 | 18 | 20 | 24 | 30 | - |
| | MM | - | 60 | 73 | 89 | 114 | 141 | 168 | 219 | 274 | 324 | 356 | 406 | 457 | 508 | 610 | 762 | - |
| C | INCH | - | 2.37 | 2.63 | 2.88 | 2.88 | 3.38 | 3.88 | 5.0 | 5.75 | 7.13 | 8.75 | 9.13 | 10.38 | 11.5 | 12.5 | 15.69 | - |
| | MM | - | 60 | 67 | 73 | 73 | 86 | 98 | 127 | 146 | 181 | 222 | 232 | 264 | 292 | 318 | 398 | - |
| WGT | LBS | - | 7 | 11 | 15 | 18 | 35 | 45 | 82 | 125 | 200 | 325 | 415 | 555 | 725 | 1100 | 2050 | - |
| | KGS | - | 3.2 | 5 | 6.8 | 8.2 | 16 | 20 | 37 | 57 | 91 | 147 | 188 | 252 | 329 | 499 | 930 | - |

