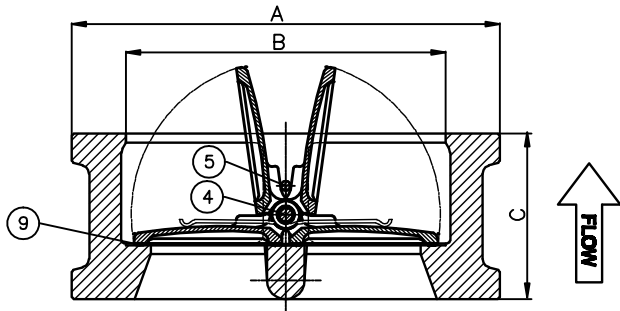
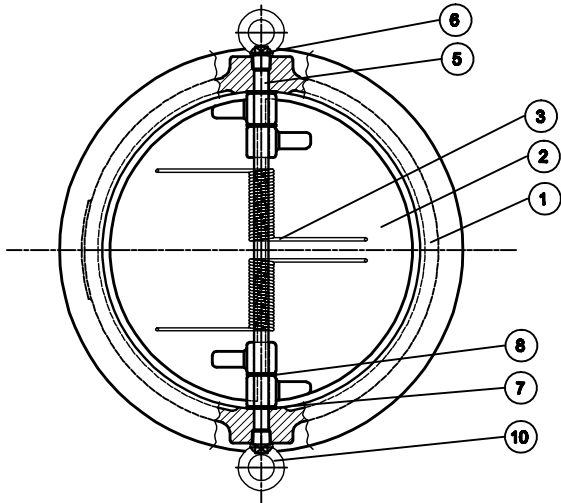


Wafer Check Valve 900#

Model 9063 - 316 Body / 316 Disc - Metal Seat



General Valve Design: API 594
 Working Pressure: ASME B16.34
 Face to Face Dimension: API 594
 Materials: ASTM
 Valve Testing: API 598

PART NO.	PART NAME	MATERIAL	Q'TY	REMARK
1	BODY	A351 CF8M	1	
2	PLATE	CF8M	2	
3	SPRING	INCONEL	1	2 ~ 5"
			2	6"~20"
			4	24"~36"
4	HINGE PIN	316 SS	1	
5	STOP PIN	316 SS	1	
6	RETAINER	316 SS	4	
7	BODY BEARING	316 SS	2	
8	PLATE BEARING	316 SS	2	
9	SEAT	METAL	1	
10	EYE BOLT	A105	1	6"~20"
			2	24"~36"

SIZE	INCH	1½	2	2½	3	4	5	6	8	10	12	14	16	18	20	24	30	36
	MM	38	50	65	80	100	127	150	200	250	300	350	400	450	500	600	762	915
A	INCH	-	5.63	6.5	6.61	8.11	-	11.38	14.13	17.13	19.61	20.5	22.64	25.12	27.5	-	-	-
	MM	-	143	165	168	206	-	289	359	435	498	521	575	638	699	-	-	-
B	INCH	-	2.37	2.87	3.5	4.5	-	6.62	8.62	10.75	12.75	14.0	16.0	18.0	20.0	-	-	-
	MM	-	60	73	89	114	-	168	219	274	324	356	406	457	508	-	-	-
C	INCH	-	2.76	3.27	3.27	4.0	-	6.25	8.11	9.5	11.5	14.0	15.12	17.75	17.75	-	-	-
	MM	-	70	83	83	102	-	159	206	241	292	356	384	451	451	-	-	-
WGT	LBS	-	12	23	23	38	-	103	198	388	450	700	950	1318	1426	-	-	-
	KGS	-	5	10	10	17	-	47	90	176	204	318	431	598	647	-	-	-

